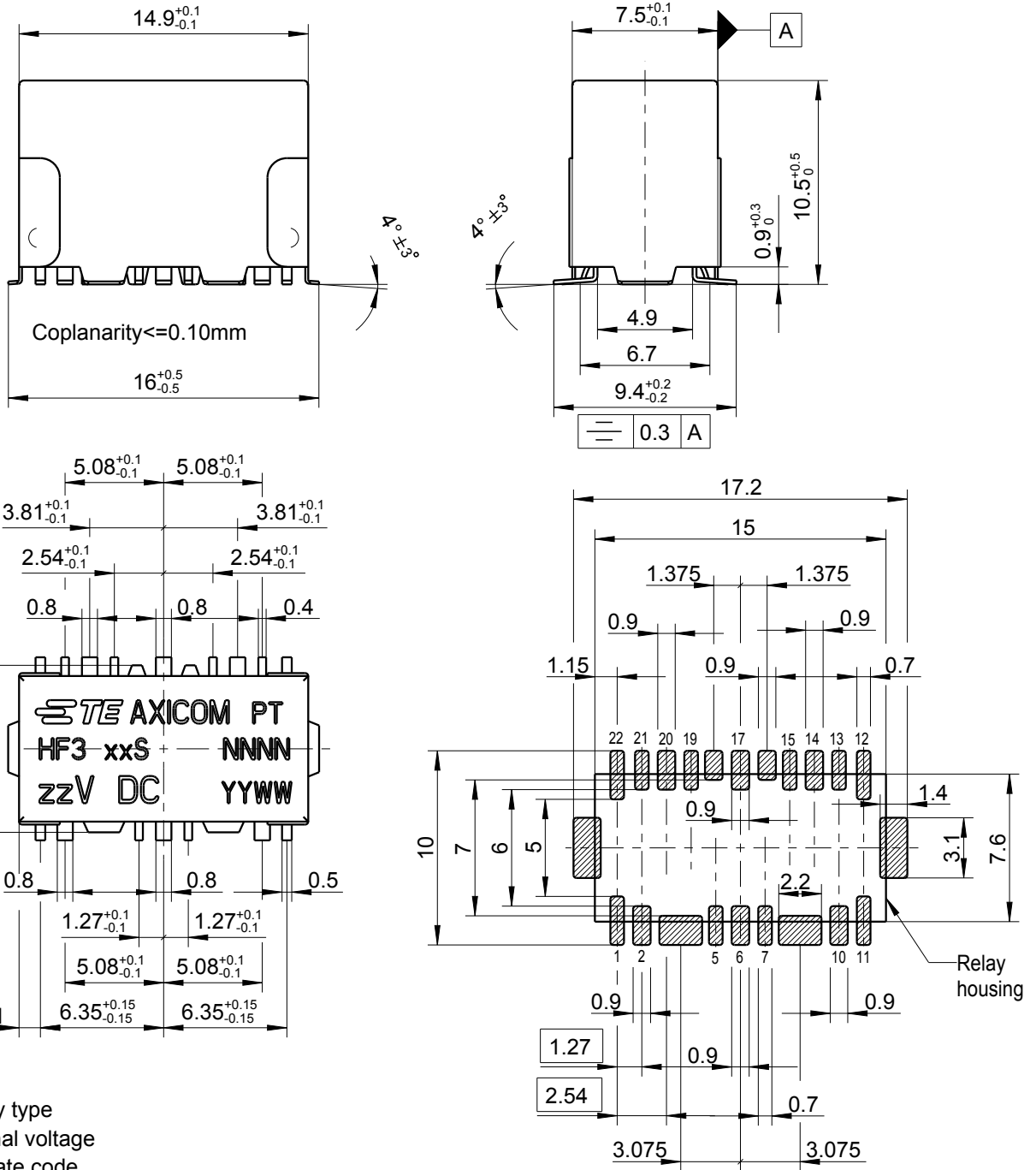



LOC	DIST	REVISIONS					
		P	LTR	DESCRIPTION	DATE	DWN	APVD
HJ	-		E	New Coplanarity, Solder Pad Layout	15JAN2010	UKo	HD
			F	Printing	09JUL2010	UKo	HD
			F1	REVISED PER ECO-11-005150	25MAR2011	RK	HMR
			F2	REVISED PER ECO-11-017072 (ECR-13-009645)	14JUN2013	UKo	AK



XX = Relay type
 zz = nominal voltage
 YYWW = Date code
 NNNN = Lot number

2006
 RELEASED FOR PUBLICATION
 ALL RIGHTS RESERVED.
 THIS DRAWING IS UNPUBLISHED.
 COPYRIGHT © 2006 BY TE Connectivity

DIMENSIONS: mm	DWN UKo 9193	26JAN2007	MATERIAL	-	FINISH	-
	CHK HD 9121	26JAN2007	 TE Connectivity			
TOLERANCES UNLESS OTHERWISE SPECIFIED: DIN 7168-m	APVD HD 9121	26JAN2007				
0 PLC ±-	PRODUCT SPEC	-	NAME			
1 PLC ±-			HF3-Relay metal cover 50Ω			
2 PLC ±-			Dimensions			
3 PLC ±-	APPLICATION SPEC	-	SIZE	CAGE CODE	DRAWING NO	RESTRICTED TO
4 PLC ±-			A4	00779	C-1462051-3	-
ANGLES ±-	WEIGHT	-	CUSTOMER DRAWING			
			SCALE	3:1	SHEET	1 OF 1
					REV	F2