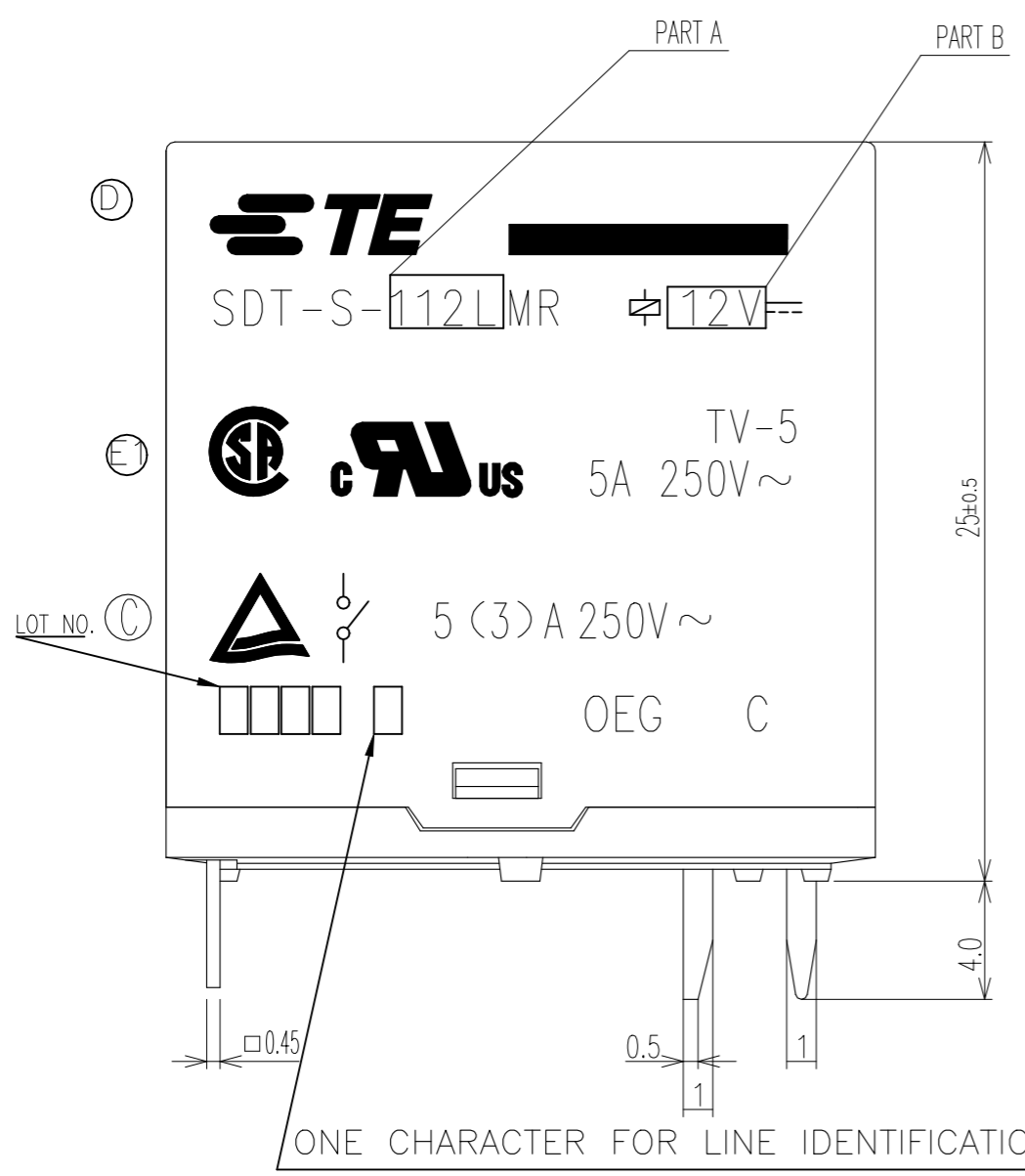


REVISIONS					
P	LTR	DESCRIPTION	DATE	DWN	APVD
E1		REMOVED SEMKO LOGO	14-AUG-21	G.R	K.T
E2		OBSOLETE THE DRAWING	25-Oct-22	WQ.Y	K.T



ONE CHARACTER FOR LINE IDENTIFICATION D

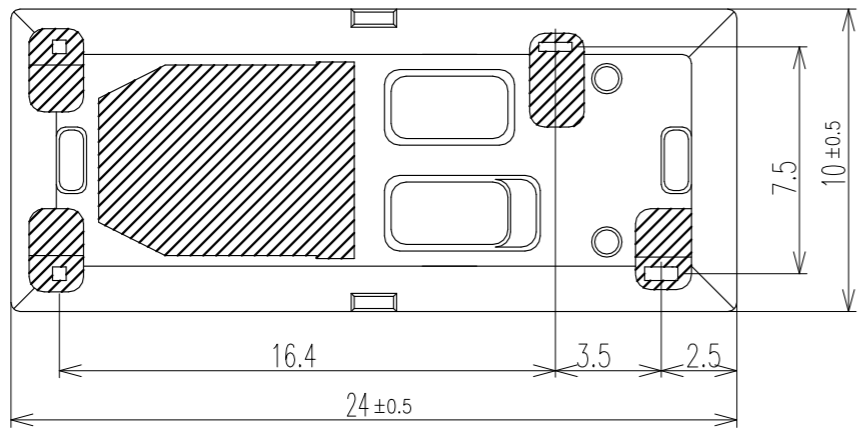
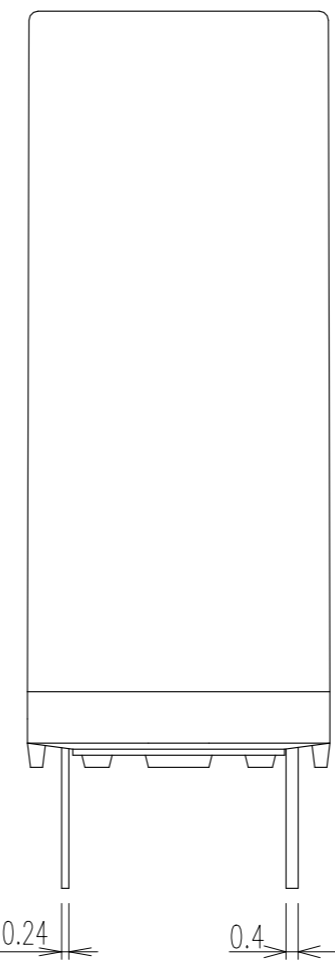
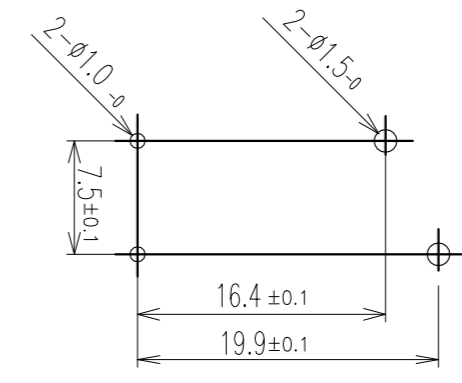


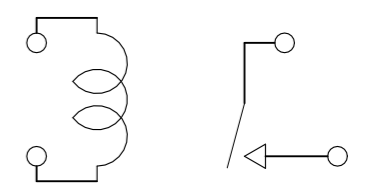
Diagram dimension	Tolerance
max. 1mm	±0.1mm
1 - 3mm	±0.2mm
min. 3mm	±0.3mm



DRILLING DIAGRAM BOTTOM VIEW (2/1)



CONNECTION DIAGRAM BOTTOM VIEW (2/1)



OBSOLETE

- NOTES
- 1. LOT NO. SYSTEM AS FOLLOWING:
 - 2. TERMINAL DIMENSIONS BEFORE SOLDER DIP
 - 3. FOR THE TIN-PLATING OF THE PINS: +0.1mm FOR WIDTH, THICKNESS AND DIAMETER +0.5mm FOR LENGTH

THIS DRAWING IS A CONTROLLED DOCUMENT.		DWN	H.Sasaki	STE TE Connectivity Ltd.	
DIMENSIONS: mm		CHK	Y.Oikawa		
TOLERANCES UNLESS OTHERWISE SPECIFIED:		APVD	A.Nagai	NAME	
0 PLC ± -		PRODUCT SPEC		SDT-LMR SPEC,601	
1 PLC ± -		APPLICATION SPEC		SIZE	RESTRICTED TO
2 PLC ± -		MATERIAL		A3	
3 PLC ± -		FINISH		CAGE CODE	DRAWING NO
4 PLC ± -		WEIGHT		00779	C-1461102
ANGLES ± -		CUSTOMER DRAWING		SCALE	SHEET
FINISH ± -				4:1	1 OF 2
				REV E2	


REVISIONS					
P	LTR	DESCRIPTION	DATE	DWN	APVD
	-	SEE SHEET 1	-	-	-

①	1461102-7	SDT-S-118LMR ,601	18V	SDT-S-118LMR	g
	1461102-6	SDT-S-124LMR ,601	24V	SDT-S-124LMR	f
	1461102-5	SDT-S-112LMR ,601	12V	SDT-S-112LMR	e
	1461102-4	SDT-S-109LMR ,601	9V	SDT-S-109LMR	d
	1461102-3	SDT-S-106LMR ,601	6V	SDT-S-106LMR	c
	1461102-2	SDT-S-105LMR ,601	5V	SDT-S-105LMR	b
	1461102-1	SDT-S-103LMR ,601	3V	SDT-S-103LMR	a
	PART NO	EC TYPE NAME	PART B	PART A	No

RELAY TYPE

OBSOLETE

INCOMBUSTIBILITY	TREATMENT	MATERIAL	DESCRIPTION	ITEM
		EPOXY RESIN	SEAL (BASE & TERMINAL)	15
		EPOXY RESIN	SEAL (BASE & YOKE)	14
		3UEW	MAGNETIC WIRE	13
94V-0		P.B.T	CASE	12
94V-0		P.B.T	BOBBIN	11
	SOLDER DIP	C.P WIRE	COIL TERMINAL	10
94V-0		PPS ⑤	CARD	9
		AgSn0	MOVABLE CONTACT	8
		AgSn0	NO.CONTACT	7
		STEEL	HINGE SPRING	6
	SOLDER DIP	Cu ALLOY	NO.TERMINAL	5
	SOLDER DIP	Cu ALLOY	MOVABLE SPRING	4
	NIP	STEEL	CORE	3
	NIP	STEEL	ARMATURE	2
	NIP	STEEL	YOKE	1

THIS DRAWING IS A CONTROLLED DOCUMENT.		DWN	H.Sasaki		
DIMENSIONS: mm		CHK	Y.Oikawa		
TOLERANCES UNLESS OTHERWISE SPECIFIED:		APVD	A.Nagai		
0 PLC ± -		PRODUCT SPEC	-		
1 PLC ± -		APPLICATION SPEC	-		
2 PLC ± -		WEIGHT	-		
3 PLC ± -		 TE Connectivity Ltd.			
4 PLC ± -		NAME			
ANGLES ± -		SDT-LMR SPEC,601			
FINISH		SIZE	CAGE CODE	DRAWING NO	RESTRICTED TO
-		A3	00779	C-1461102	-
MATERIAL		CUSTOMER DRAWING		SCALE	SHEET
-		-		4:1	2 OF 2
				REV	E2