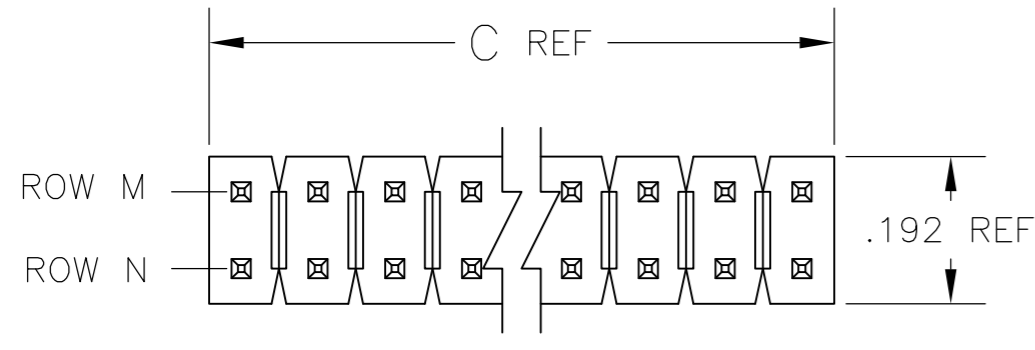
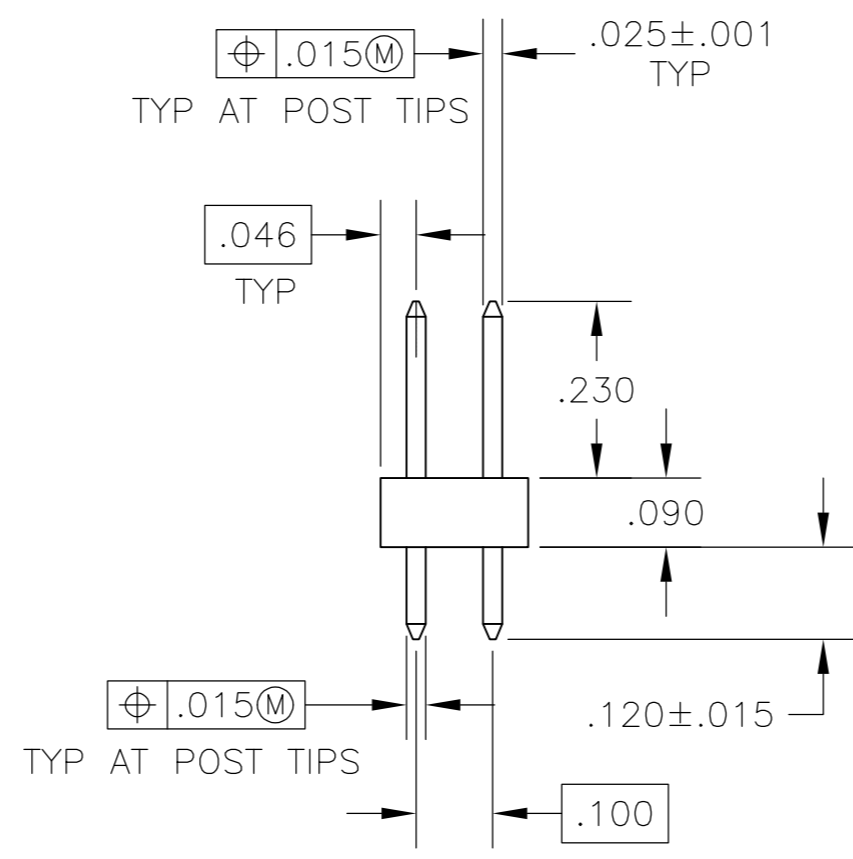
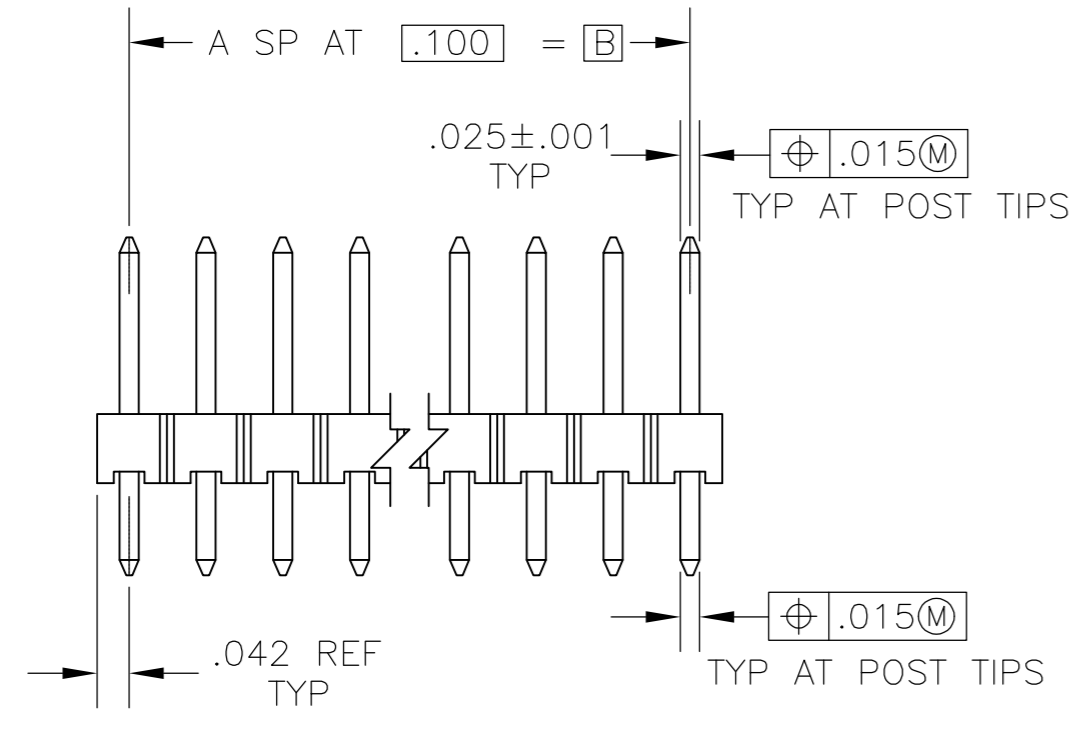


THIS DRAWING IS UNPUBLISHED. RELEASED FOR PUBLICATION
 © COPYRIGHT BY TYCO ELECTRONICS CORPORATION. ALL RIGHTS RESERVED.

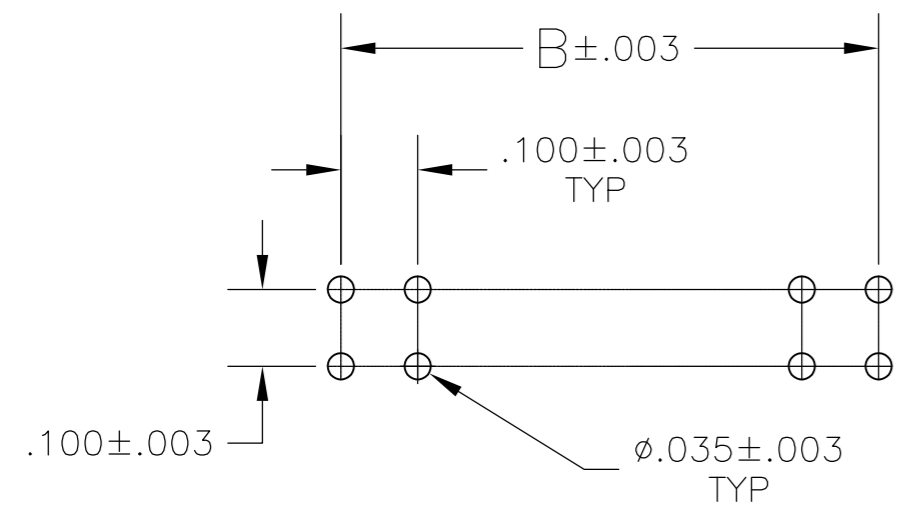
LOC	DIST	REVISIONS			
P	LTR	DESCRIPTION	DATE	DWN	APVD
	R	EC 0G3C 0169 05	22APR05	BSV	JLG
	R1	REVISED PER ECO-09-020935	01SEP09	KK	AEG



POST NO REF
(SEE TABLE)



- TRUE POSITION TOLERANCE OF THE POST TIPS APPLIES WHEN THE HEADERS ARE HELD FLAT AGAINST THE PRINTED CIRCUIT BOARD
- ASSEMBLY MAY BE BROKEN TO THE DESIRED NUMBER OF POSITIONS
- PRELIMINARY PART - NOT RELEASED FOR PRODUCTION.
- HOUSING: FLAME RETARDANT THERMOPLASTIC, COLOR-BALCK. POSTS: PHOSPHOR BRONZE.
- .000100-.000200 MATTE TIN-LEAD OVER .000050 NICKEL.
- .000100-.000200 MATTE TIN OVER .000050 NICKEL.
- HIGH TEMPERATURE CONFIGURATION.
- OBSOLETE PARTS: OBSOLETE CIS STREAMLINING PER D.RENAUD/D.SINISI



RECOMMENDED HOLE LAYOUT

REMARKS	PLATING	ROW N	ROW M	C	B	A	NO OF ACTIVE POS	NO OF POS	ASSEMBLY PART NUMBER		
8		7	6	NONE	2	.484	.400	4	9	10	5-146000-7
OBSOLETE		7	6	NONE	13	1.284	1.200	12	25	26	5-146000-4
		7	6	NONE	5	.484	.400	4	9	10	5-146000-1
		3	5	NONE	3	.684	.600	6	13	14	1-146000-0
		3	5	1	NONE	.184	.100	1	3	4	146000-9
		3	5	NONE	6	1.184	1.100	11	23	24	146000-8
8		5	5	NONE	2	.484	.400	4	9	10	146000-7
OBSOLETE		3	5	NONE	3	.284	.200	2	5	6	146000-6
		5	5	3	NONE	1.684	1.600	16	33	34	146000-5
8		5	5	NONE	13	1.284	1.200	12	25	26	146000-4
OBSOLETE		5	5	NONE	10	.984	.900	9	19	20	146000-3
OBSOLETE		5	5	NONE	6	.584	.500	5	11	12	146000-2
8		5	5	NONE	5	.484	.400	4	9	10	146000-1

THIS DRAWING IS A CONTROLLED DOCUMENT. DWN J.MARTINELLI 27JUL00
 CHK JOHN KNITTE
 APVD -
 PRODUCT SPEC -
 APPLICATION SPEC -
 WEIGHT -

tyco Tyco Electronics Corporation
Electronics Harrisburg, Pa 17105-3608

NAME
 ASSEMBLY, HEADER, BREAKAWAY, MOD II,
 DOUBLE ROW, .100 X .100 C/L, VERTICAL,
 WITH .025 SQUARE POSTS

SIZE A2 CAGE CODE 00779 DRAWING NO C-146000 RESTRICTED TO -
 SCALE 4:1 SHEET 1 OF 1 REV R1

DIMENSIONS: INCHES TOLERANCES UNLESS OTHERWISE SPECIFIED:
 0 PLC ± -
 1 PLC ± -
 2 PLC ± -
 3 PLC ± .005
 4 PLC ± -
 ANGLES ± -
 FINISH SEE TABLE

MATERIAL 4

CUSTOMER DRAWING