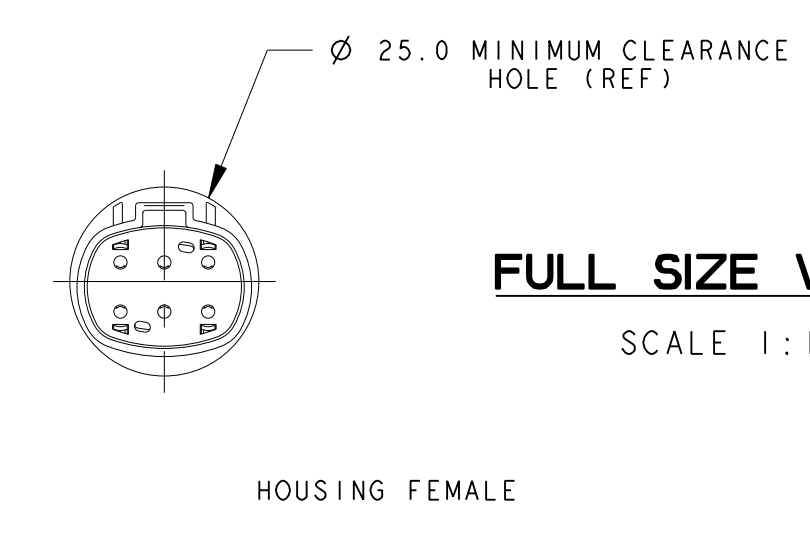
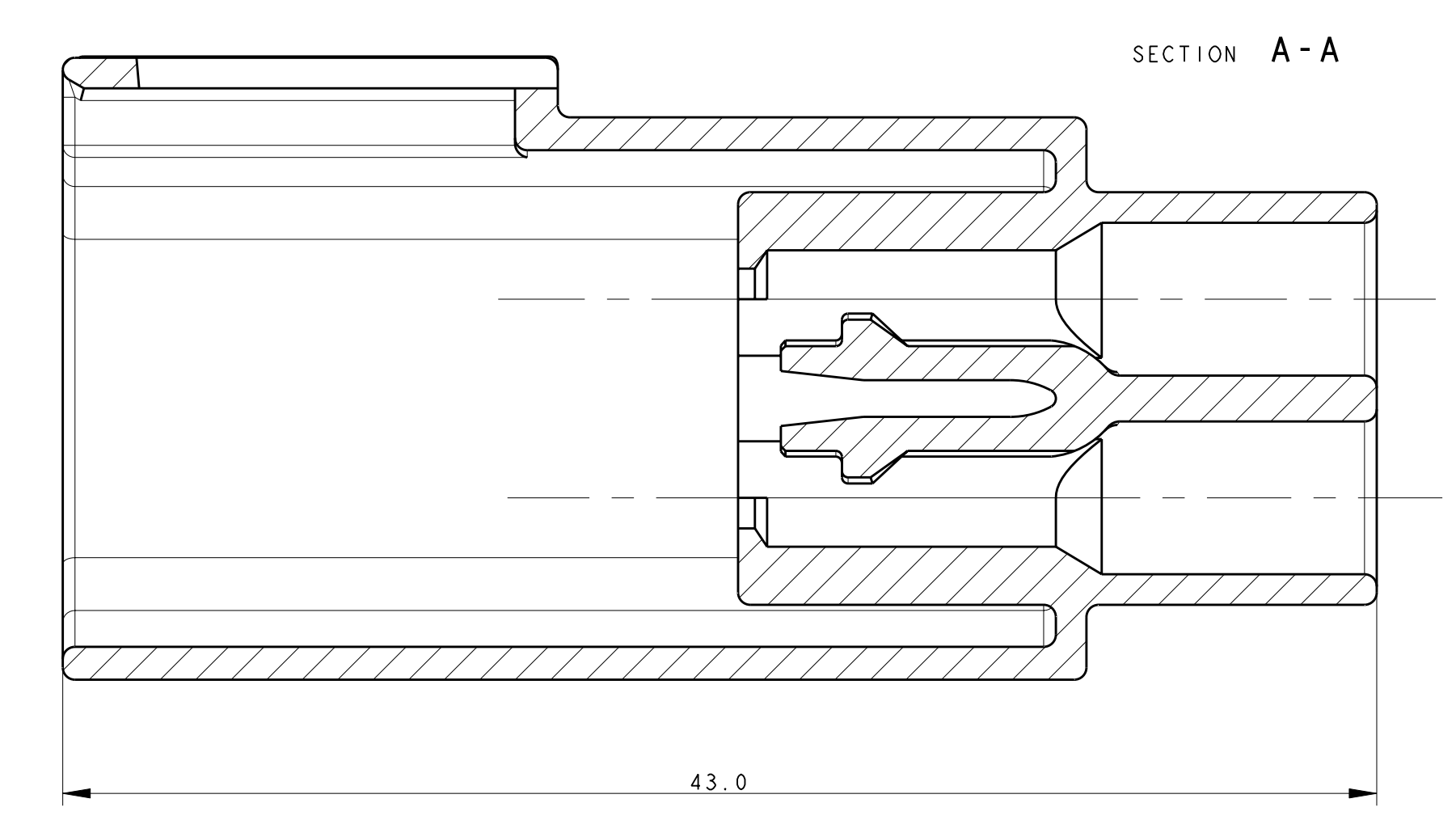
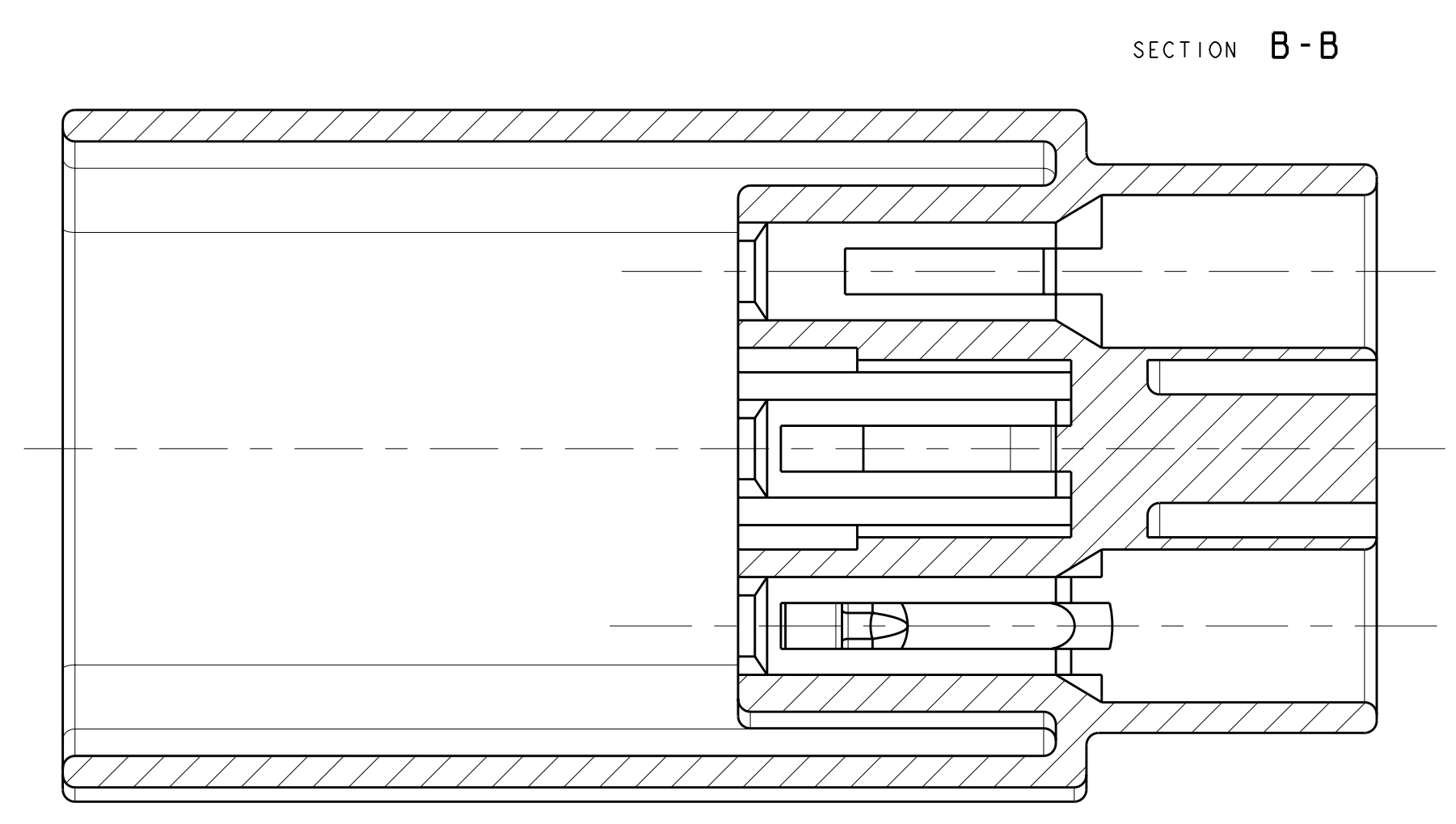
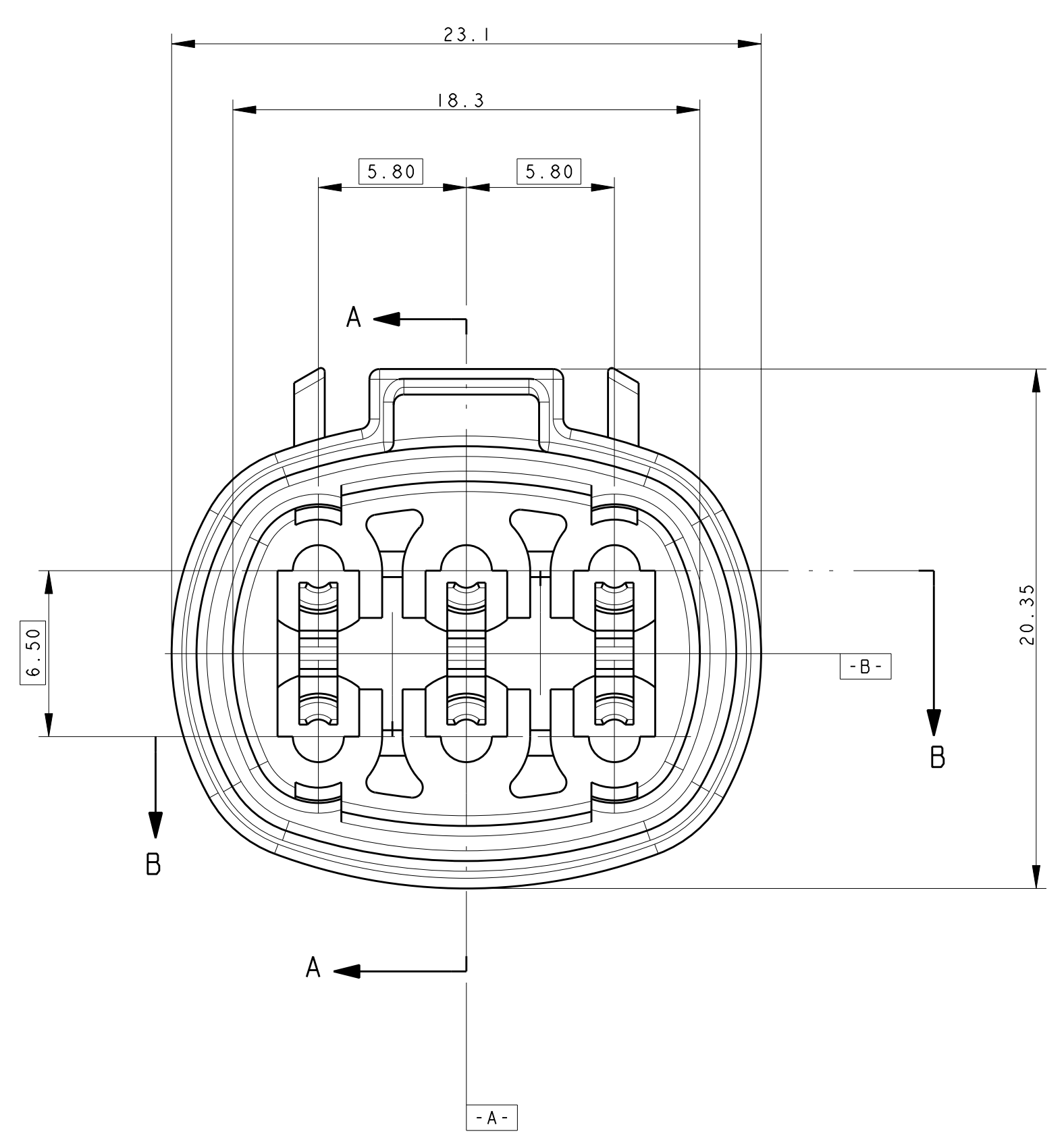


REV	DATE	DESCRIPTION	BY	CHKD	APPD
A	EG00-2684-01				
A1	EG00-3706-01, DRW. REVISED, SEALS UPDATED	17DEC2001	SLK	JE	
A2	EG00-0397-02, ADD NATURAL VERSION	17DEC2002	SS	JE	
A3	REDRAWN AND REVISED FOR ECR 06-003008	17FEB2004	M.P.	R.M.	
A4	REDRAWN AND REVISED FOR ECR 07-012722	17FEB2004	M.G.	R.M.	
A5	REDRAWN FOR ECR 08-011583	16MAY2005	D.S.	R.M.	

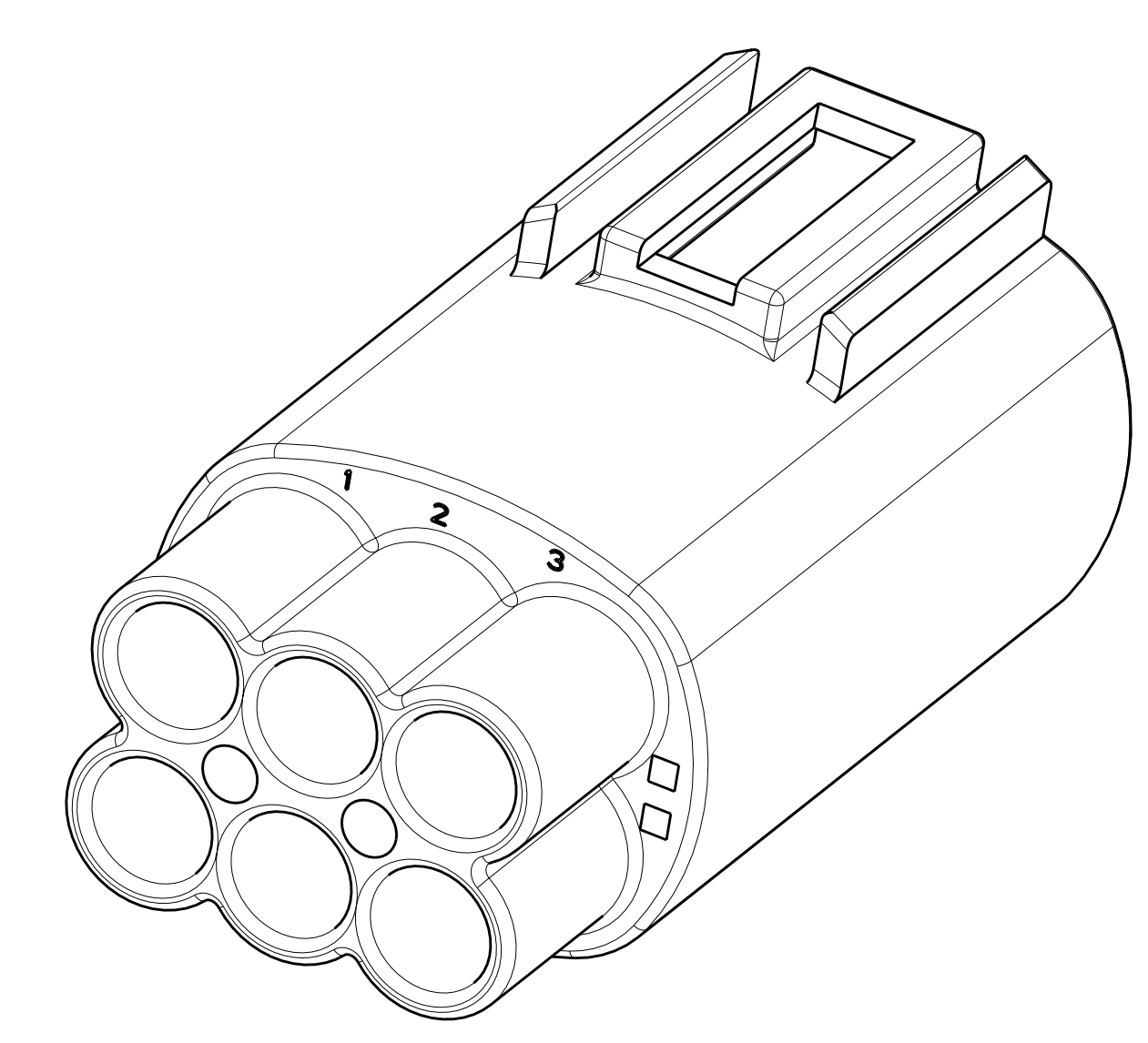
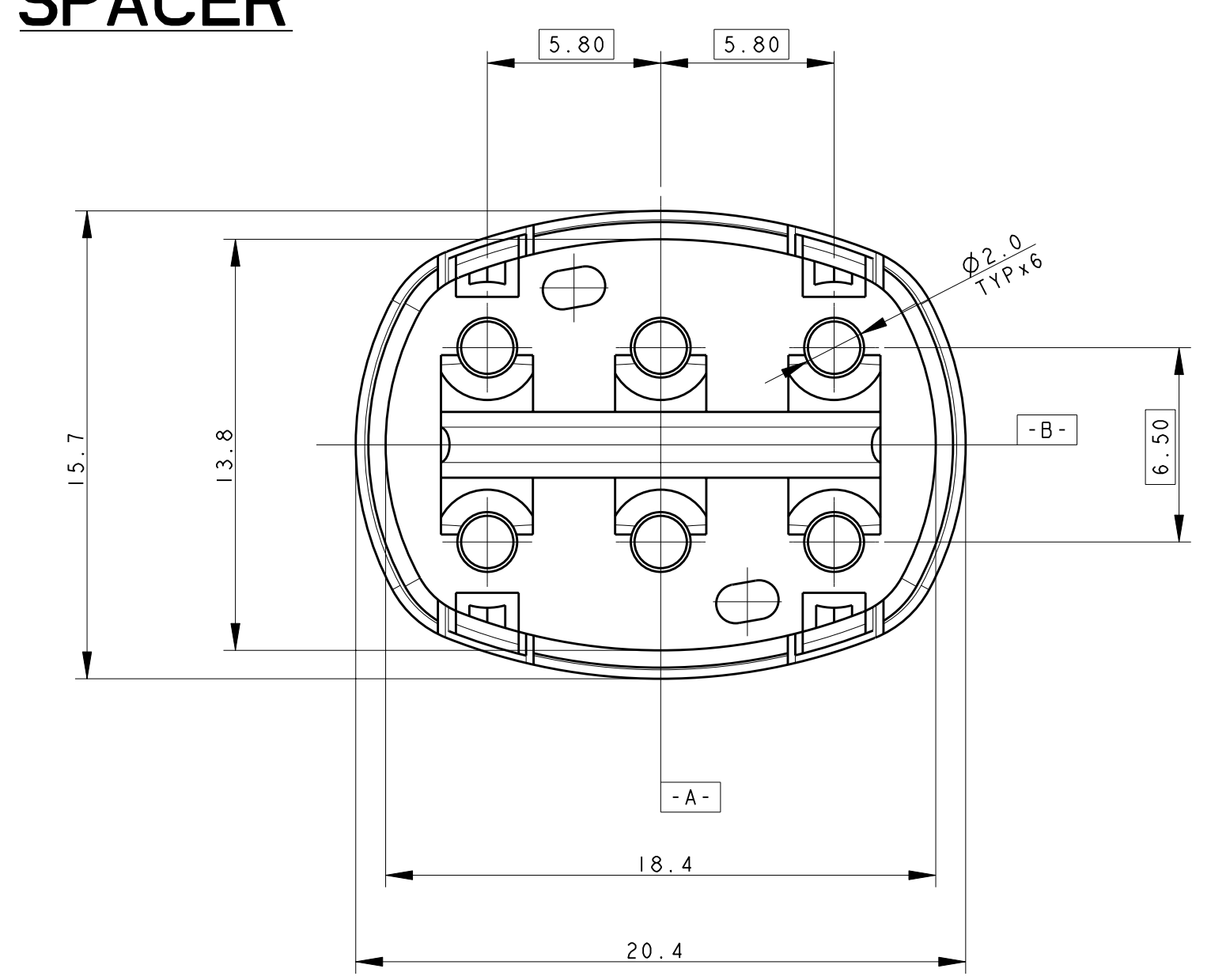
1 HOUSING

WATERPROOF / NON WATERPROOF



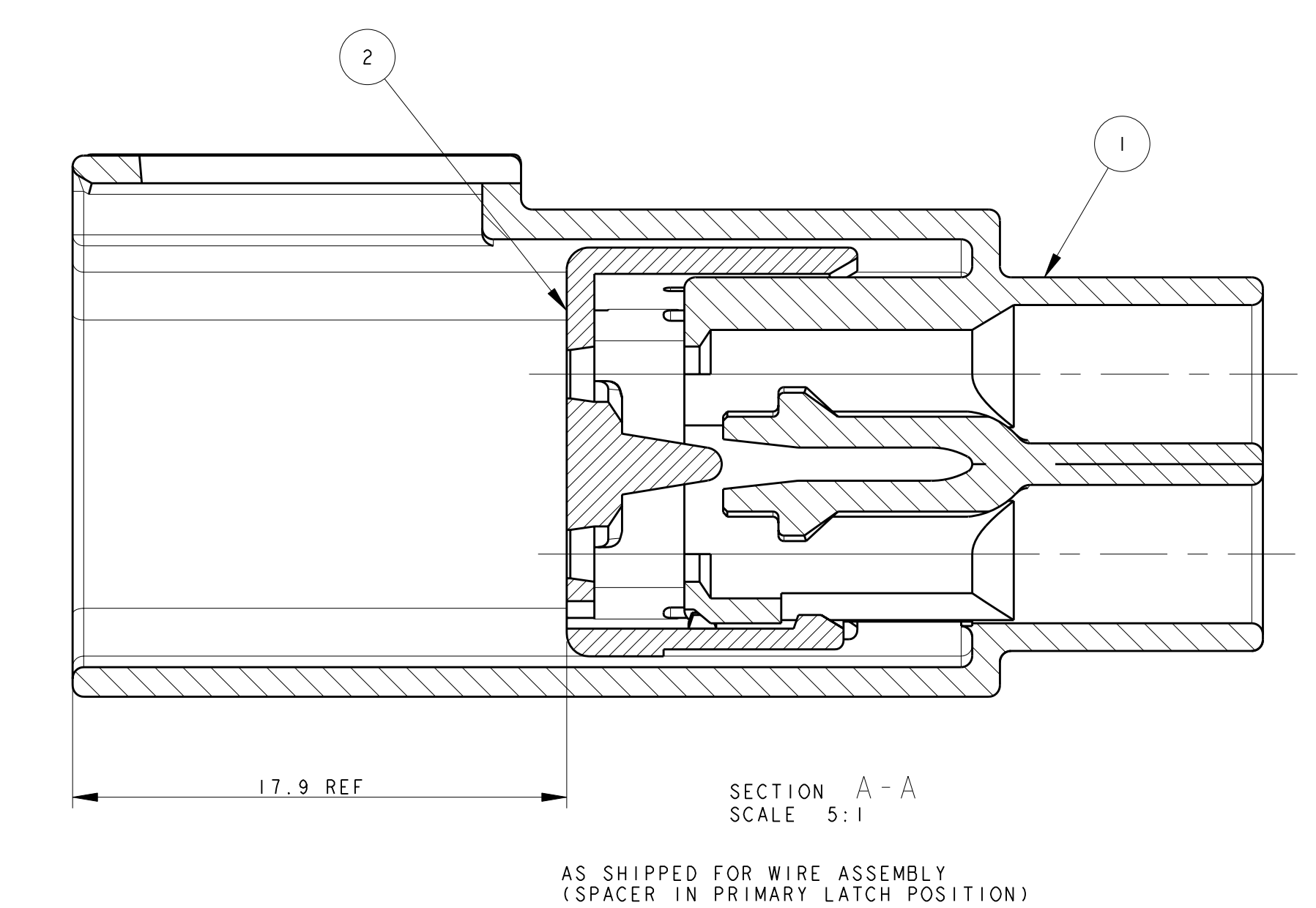
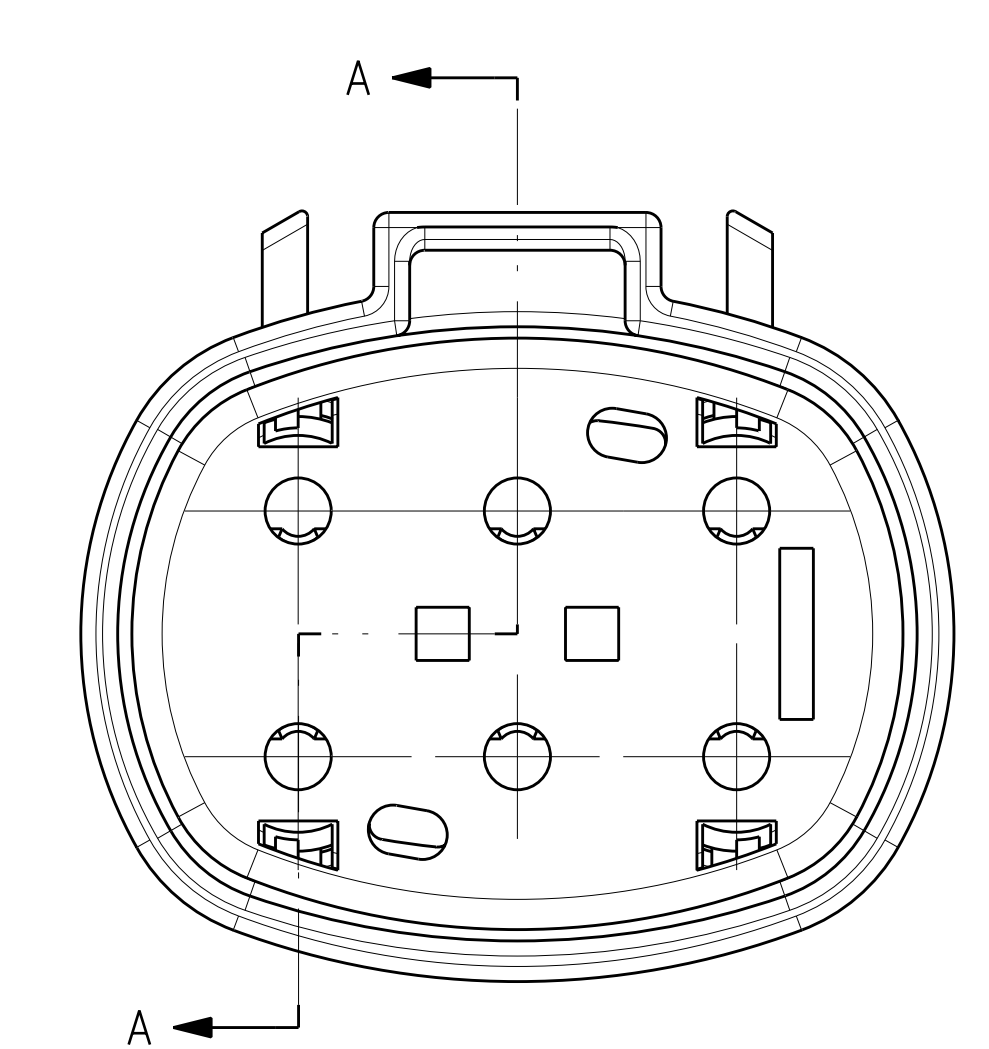
	DESCRIPTION	ITEM
1	HOUSING (BLACK)	1
1	HOUSING (NATURAL)	1
1	SPACER (RED)	2

2 SPACER



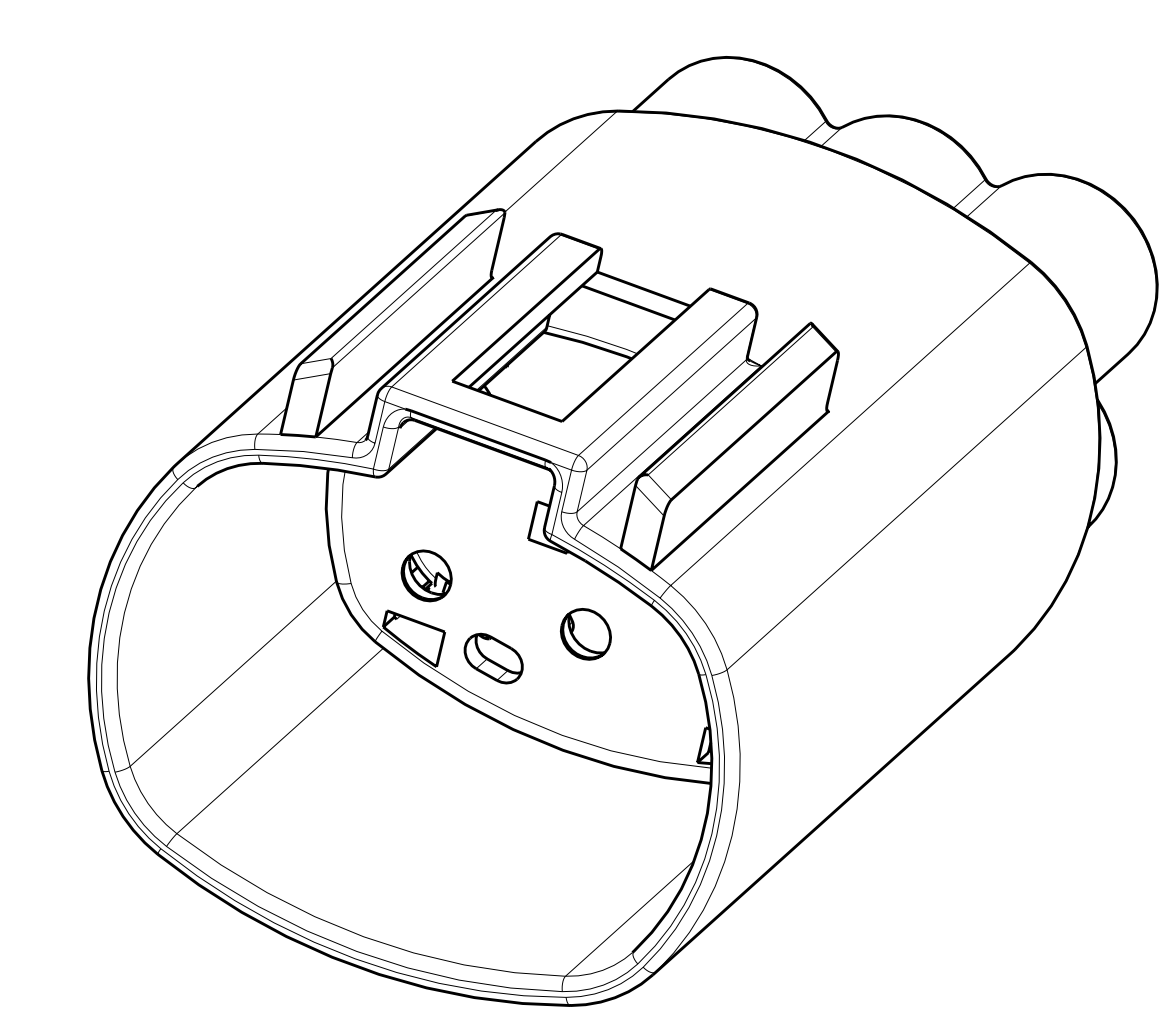
6 WAYS FEMALE , BLACK		TYPE	6 WAYS FEMALE , NATURAL		TYPE
ASSEMBLY			ASSEMBLY		
T&B UNIVERSAL PART No	106063 / 106064	-	T&B UNIVERSAL PART No	-	-
TYCO ELECTRONICS PART No.	2-1437712-0		TYCO ELECTRONICS PART No.	2-1437712-1	
T&B FORD PART No	MPILA-1006XX		T&B FORD PART No	MPILA-N006XX	
FORD PART No	89FG-14A624-AFB	WATERPROOF	FORD PART No	89FG-14A624-AFB	WATERPROOF
TYCO ELECTRONICS PART No.	2-1437712-0		TYCO ELECTRONICS PART No.	2-1437712-1	
T&B FORD PART No	MPILA-1A06XX		T&B FORD PART No	MPILA-NA06XX	
FORD PART No	89FG-14A459-AFB	NON WATERPROOF	FORD PART No	89FG-14A459-AFB	NON WATERPROOF
TYCO ELECTRONICS PART No.	2-1437712-0		TYCO ELECTRONICS PART No.	2-1437712-1	

⚠ OBSOLETE. SUPERSEDED BY 2-1437712-0



PART AS SUPPLIED				COMPONENTS		COLOURS		MATERIALS		SUITABLE FOR			MATING PARTS	
TYCO ELECTRONICS PART No.	DESCRIPTION	WATERPROOF	WEIGHT	1 HOUSING	2 SPACER	1 HOUSING	2 SPACER	1 HOUSING	2 SPACER	TERMINAL MALE	WIRE SEAL	BLIND PLUG	TYCO ELECTRONICS PART No.	DESCRIPTION
2-1437712-0	6 WAY FEMALE CONNECTOR	YES	7.6 gr.	1	1	BLACK	RED	PBTP 33% GF	PBTP 33% GF	0-1437709-6 (0.22-0.35mm ²) GOLD PLATED	1-1437713-1 (0.22-0.35) BLACK	1-1437713-2 (0.50-1.00) RED	4-1437710-0	6 WAY MALE CONNECTOR
	0-1437709-7 (0.50-1.00mm ²) GOLD PLATED	1-1437713-3 (1.50) BLUE	4-1437710-1	6 WAY MALE CONNECTOR WITH RETAINER										
2-1437712-0	6 WAY FEMALE CONNECTOR	NO	7.6 gr.	1	1	BLACK	RED	PBTP 33% GF	PBTP 33% GF	0-1437709-6 (0.22-0.35mm ²) GOLD PLATED	1-1437713-1 (0.22-0.35) BLACK	1-1437713-2 (0.50-1.00) RED	4-1437710-2	6 WAY MALE CONNECTOR
	0-1437709-7 (0.50-1.00mm ²) GOLD PLATED	1-1437713-3 (1.50mm ²) TIN PLATED	4-1437710-3	6 WAY MALE CONNECTOR WITH RETAINER										

PART AS SUPPLIED				COMPONENTS		COLOURS		MATERIALS		SUITABLE FOR			MATING PARTS	
TYCO ELECTRONICS PART No.	DESCRIPTION	WATERPROOF	WEIGHT	1 HOUSING	2 SPACER	1 HOUSING	2 SPACER	1 HOUSING	2 SPACER	TERMINAL MALE	WIRE SEAL	BLIND PLUG	TYCO ELECTRONICS PART No.	DESCRIPTION
2-1437712-1	6 WAY FEMALE CONNECTOR	YES	7.6 gr.	1	1	NATURAL	RED	PBTP 33% GF	PBTP 33% GF	0-1437709-6 (0.22-0.35mm ²) GOLD PLATED	1-1437713-1 (0.22-0.35) BLACK	1-1437713-2 (0.50-1.00) RED	0-1418093-3	6 WAY MALE CONNECTOR
	0-1437709-7 (0.50-1.00mm ²) GOLD PLATED	1-1437713-3 (1.50) BLUE	0-1418093-1	6 WAY MALE CONNECTOR WITH RETAINER										
2-1437712-1	6 WAY FEMALE CONNECTOR	NO	7.6 gr.	1	1	NATURAL	RED	PBTP 33% GF	PBTP 33% GF	0-1437709-6 (0.22-0.35mm ²) GOLD PLATED	1-1437713-1 (0.22-0.35) BLACK	1-1437713-2 (0.50-1.00) RED	0-1418093-2	6 WAY MALE CONNECTOR WITH RETAINER
	0-1437709-7 (0.50-1.00mm ²) GOLD PLATED	1-1437713-3 (1.50mm ²) TIN PLATED												



NOTES UNLESS OTHERWISE SPECIFIED:
 1) SEE CHART FOR MATING PART NUMBERS.
 2) THE CONNECTOR IS DESIGNED TO PASS THROUGH A Ø 25.00mm MIN. HOLE

DIMENSIONS: mm TOLERANCES: UNLESS OTHERWISE SPECIFIED: 0 P.L.C. ±0.3 1 P.L.C. ±0.1 2 P.L.C. ±0.1 3 P.L.C. ±0.1 4 P.L.C. ±0.1 5 P.L.C. ±0.1 6 P.L.C. ±0.1 7 P.L.C. ±0.1 8 P.L.C. ±0.1 9 P.L.C. ±0.1 10 P.L.C. ±0.1 11 P.L.C. ±0.1 12 P.L.C. ±0.1 13 P.L.C. ±0.1 14 P.L.C. ±0.1 15 P.L.C. ±0.1 16 P.L.C. ±0.1 17 P.L.C. ±0.1 18 P.L.C. ±0.1 19 P.L.C. ±0.1 20 P.L.C. ±0.1 21 P.L.C. ±0.1 22 P.L.C. ±0.1 23 P.L.C. ±0.1 24 P.L.C. ±0.1 25 P.L.C. ±0.1 26 P.L.C. ±0.1 27 P.L.C. ±0.1 28 P.L.C. ±0.1 29 P.L.C. ±0.1 30 P.L.C. ±0.1 31 P.L.C. ±0.1 32 P.L.C. ±0.1 33 P.L.C. ±0.1 34 P.L.C. ±0.1 35 P.L.C. ±0.1 36 P.L.C. ±0.1 37 P.L.C. ±0.1 38 P.L.C. ±0.1 39 P.L.C. ±0.1 40 P.L.C. ±0.1 41 P.L.C. ±0.1 42 P.L.C. ±0.1 43 P.L.C. ±0.1 44 P.L.C. ±0.1 45 P.L.C. ±0.1 46 P.L.C. ±0.1 47 P.L.C. ±0.1 48 P.L.C. ±0.1 49 P.L.C. ±0.1 50 P.L.C. ±0.1 51 P.L.C. ±0.1 52 P.L.C. ±0.1 53 P.L.C. ±0.1 54 P.L.C. ±0.1 55 P.L.C. ±0.1 56 P.L.C. ±0.1 57 P.L.C. ±0.1 58 P.L.C. ±0.1 59 P.L.C. ±0.1 60 P.L.C. ±0.1 61 P.L.C. ±0.1 62 P.L.C. ±0.1 63 P.L.C. ±0.1 64 P.L.C. ±0.1 65 P.L.C. ±0.1 66 P.L.C. ±0.1 67 P.L.C. ±0.1 68 P.L.C. ±0.1 69 P.L.C. ±0.1 70 P.L.C. ±0.1 71 P.L.C. ±0.1 72 P.L.C. ±0.1 73 P.L.C. ±0.1 74 P.L.C. ±0.1 75 P.L.C. ±0.1 76 P.L.C. ±0.1 77 P.L.C. ±0.1 78 P.L.C. ±0.1 79 P.L.C. ±0.1 80 P.L.C. ±0.1 81 P.L.C. ±0.1 82 P.L.C. ±0.1 83 P.L.C. ±0.1 84 P.L.C. ±0.1 85 P.L.C. ±0.1 86 P.L.C. ±0.1 87 P.L.C. ±0.1 88 P.L.C. ±0.1 89 P.L.C. ±0.1 90 P.L.C. ±0.1 91 P.L.C. ±0.1 92 P.L.C. ±0.1 93 P.L.C. ±0.1 94 P.L.C. ±0.1 95 P.L.C. ±0.1 96 P.L.C. ±0.1 97 P.L.C. ±0.1 98 P.L.C. ±0.1 99 P.L.C. ±0.1 100 P.L.C. ±0.1	DWG: M. PALMA CDR: R. MARTINI APPR: A. GENTA DATE: 21FEB2006 PRODUCT SPEC: 108-20269 APPLICATION SPEC: 411-20111 REVISION: SEE TABLE CUSTOMER DRAWING: SEE TABLE	Tyco Electronics Tyco Electronics AMP Italia S.p.A. C.so F.lli Cervi 15, Collighe 4101	NAME: 6mm SYSTEM 6 WAYS CONNECTOR FEMALE SIZE: CASE CODE (DRAWING NO): A00779 SCALE: 5:1 SHEET: 1 OF 1 REV: A5
--	---	--	--