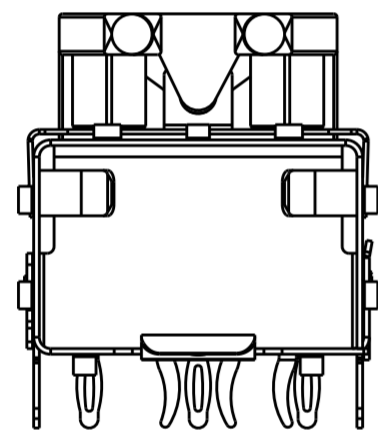
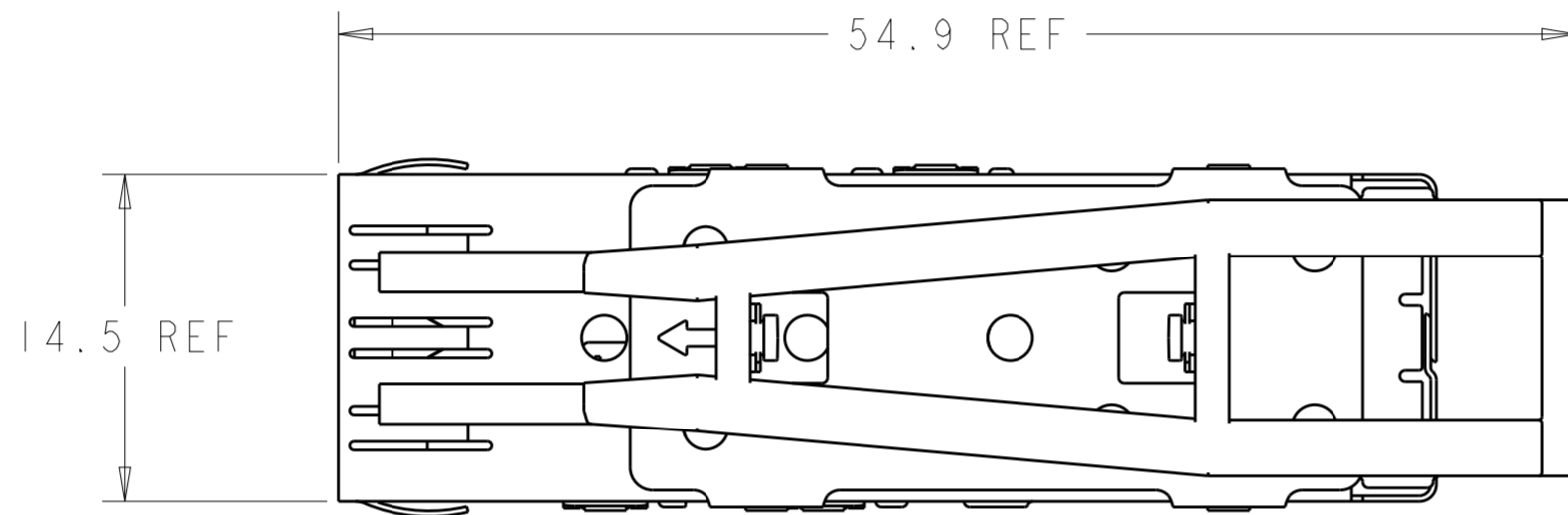
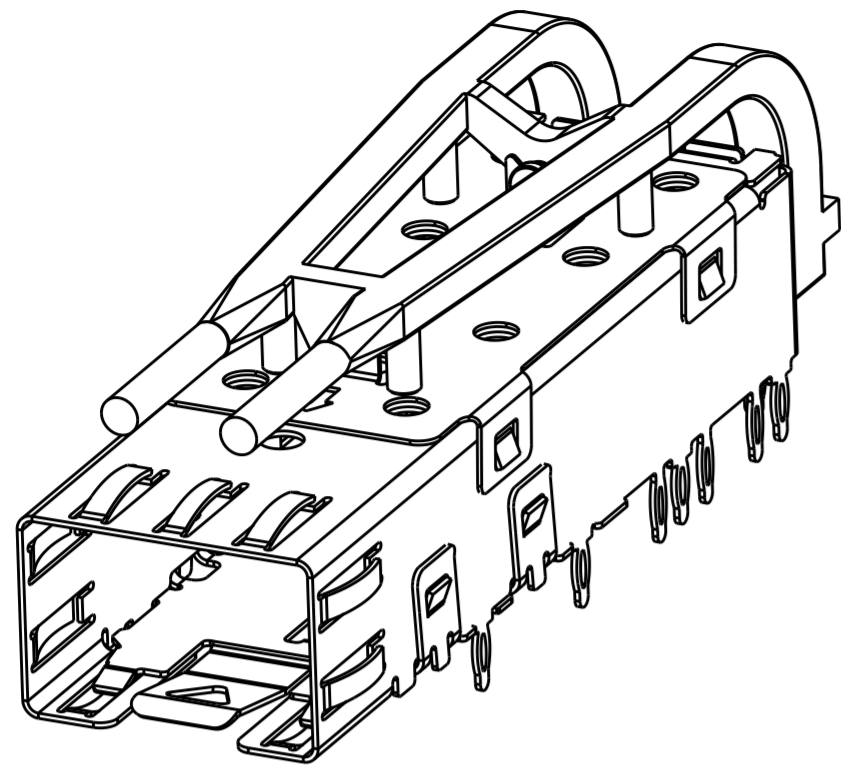
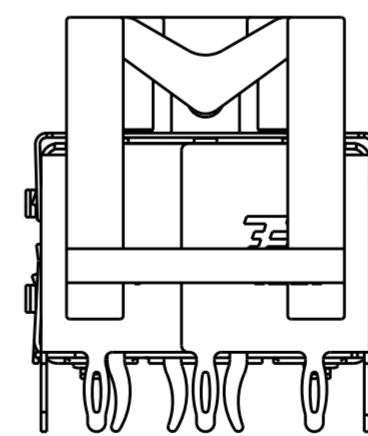
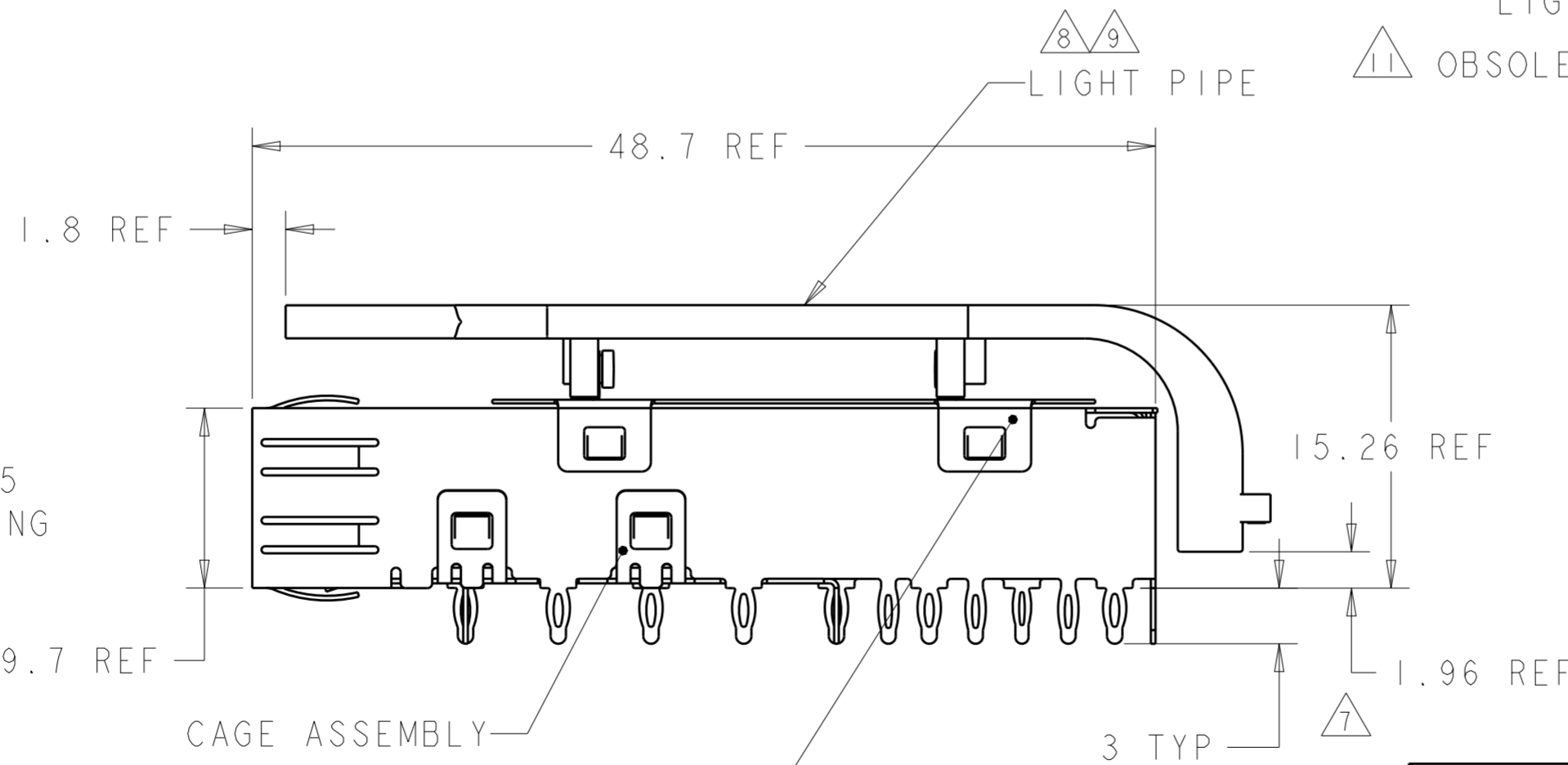
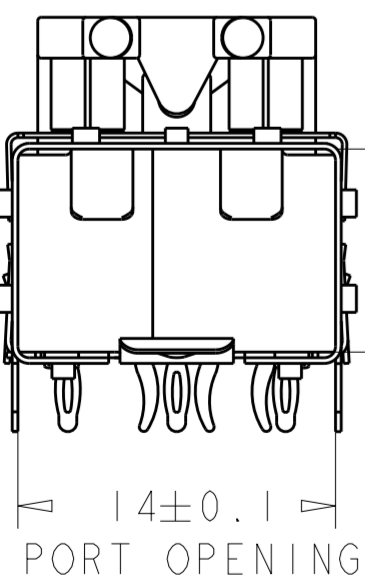


THIS DRAWING IS UNPUBLISHED. RELEASED FOR PUBLICATION 20  
 © COPYRIGHT 20 ALL RIGHTS RESERVED.

LOC	DIST	REVISIONS					
GP	00	P	LTR	DESCRIPTION	DATE	DWN	APVD
		B1		REVISED PER ECO-11-005033	10MAY2011	RK	HMR
		B4		REVISED PER ECO-14-009692	6JAN2015	CW	SH



SCALE 3:1  
1367629-2



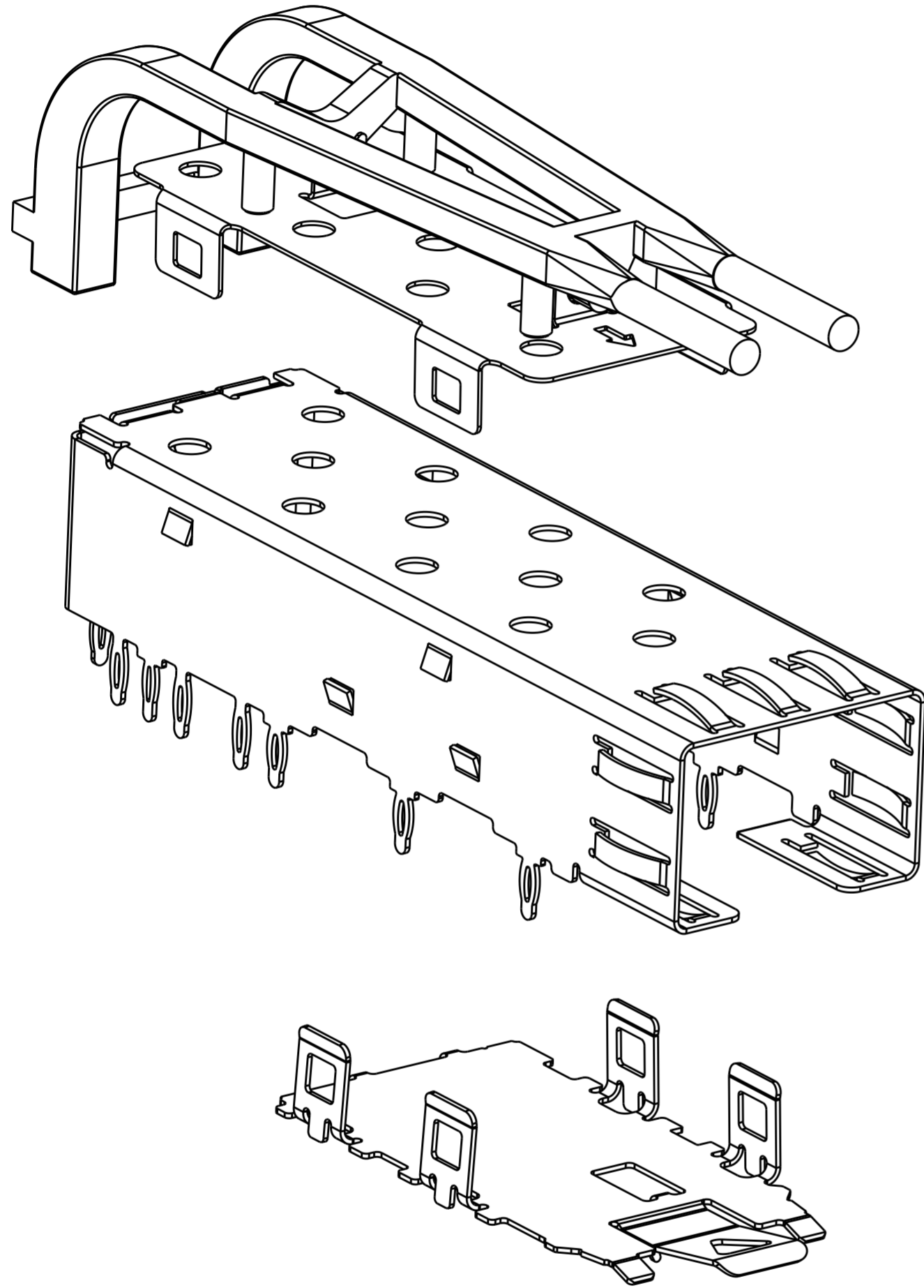
- 1 MATERIAL:  
CAGE: COPPER ALLOY(TOP CAGE&BOTTOM CAGE 2 PIECE STRUCTURE).  
LIGHTPIPE: POLYCARBONATE, CLEAR  
LIGHTPIPE BRACKET: STAINLESS STEEL.
- 2 FINISH:  
CAGE: TIN 1.25 um MIN THICKNESS OVER,  
0.125 um MIN THICKNESS NICKEL.  
NONPLATED EDGES PERMISSABLE.
- 3. MATES WITH SFP MSA COMPLIANT TRANSCEIVERS.
- 4 PADS AND VIAS CHASSIS GROUND.
- 5 DATUM AND BASIC DIMENSIONS ESTABLISHED BY CUSTOMER.
- 6. MINIMUM PC BOARD THICKNESS:  
SINGLE SIDED: 1.50 mm  
(SHOWN ON SHEET 4).
- 7 MAX HEIGHT OF LED OFF BOARD IS NOT TO EXCEED 1.14mm.
- 8 LIGHT PIPE AND LIGHT PIPE BRACKET SHIPPED ASSEMBLED.
- 9 LIGHT PIPE ASSEMBLY SHIPPED UNASSEMBLED TO CAGE ASSEMBLY.  
CAGE ASSEMBLY TO BE PRESSED INTO THE PCB PRIOR  
TO ATTACHING THE LIGHT PIPE ASSEMBLY TO THE CAGE.
- 10 MATERIAL:  
CAGE: STAINLESS STEEL(ONE PIECE DESIGN), 0.00125mm  
NICKLE OVER ALL, NON-PLATED EDGES PERMISSIBLE.  
LIGHTPIPE: POLYCARBONATE, CLEAR  
LIGHTPIPE BRACKET: STAINLESS STEEL.
- 11 OBSOLETE

10	1367629-2
11	<del>1367629-1</del>
AS SHOWN	PART NUMBER
MATERIAL&CAGE STRUCTURE	

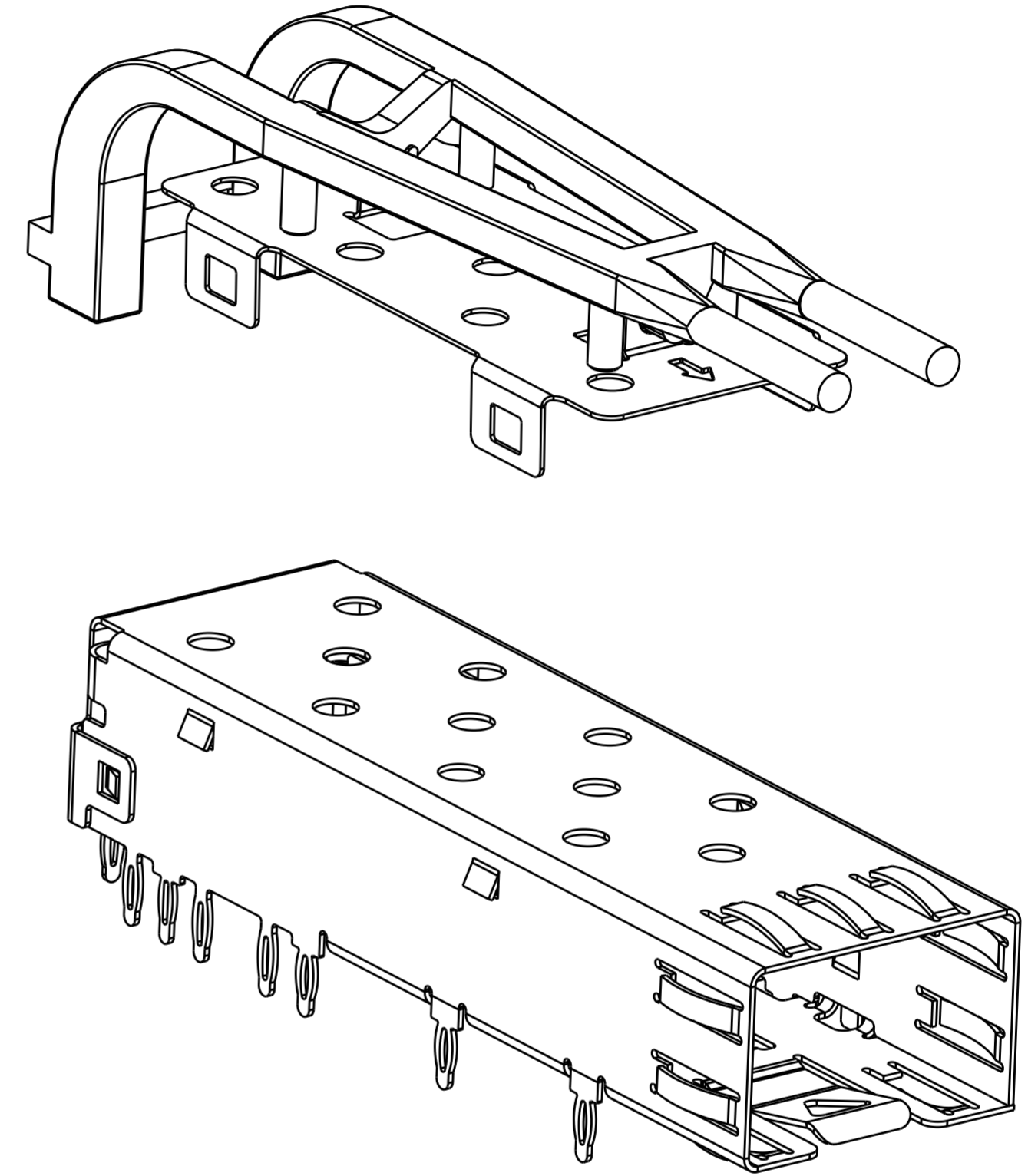
THIS DRAWING IS A CONTROLLED DOCUMENT.		DWN C. VALENTINE 15 JAN 2007	TE Connectivity	
DIMENSIONS: mm		CHK E. BRIGHT 15 JAN 2007		
TOLERANCES UNLESS OTHERWISE SPECIFIED:		APVD E. BRIGHT 15 JAN 2007	NAME CAGE ASSEMBLY, 20 PRESS FIT, SFP	
0 PLC ±0.1	1 PLC ±0.1	PRODUCT SPEC 108-1950	SIZE A200779	
2 PLC ±0.1	3 PLC ±0.05	APPLICATION SPEC 114-13120	DRAWING NO C-1367629	
4 PLC ±0.05	ANGLES ±	WEIGHT -	RESTRICTED TO -	
MATERIAL 1	FINISH 2	Customer Drawing	SCALE 3:1 SHEET 1 OF 4 REV B4	

THIS DRAWING IS UNPUBLISHED. RELEASED FOR PUBLICATION 20  
 © COPYRIGHT 20 ALL RIGHTS RESERVED.


LOC	DIST	REVISIONS					
GP	00	P	LTR	DESCRIPTION	DATE	DWN	APVD
		-		SEE SHEET 1			



SCALE 4:1  
1367629-1

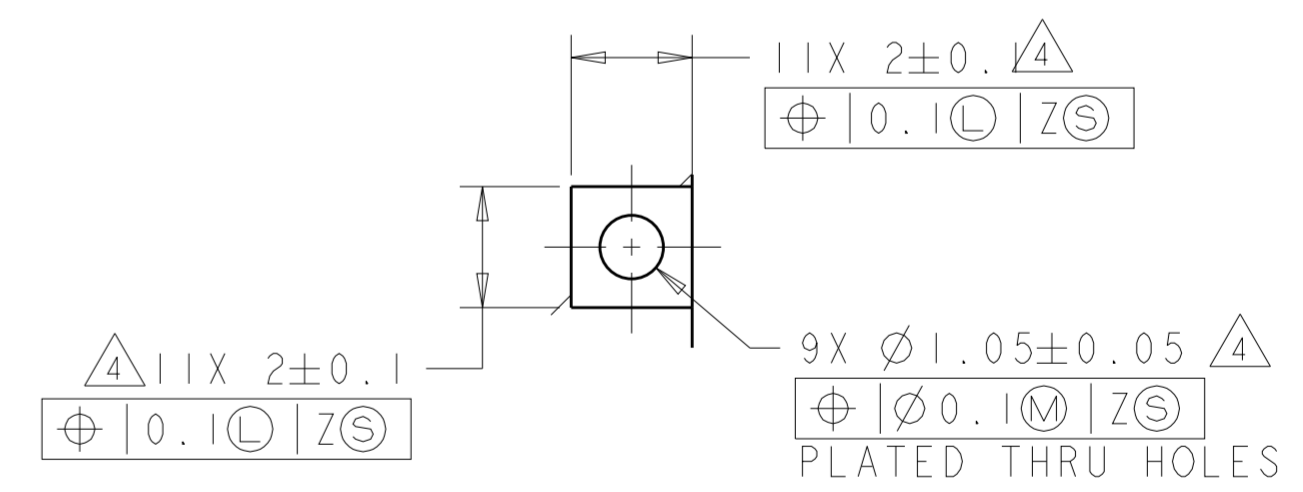
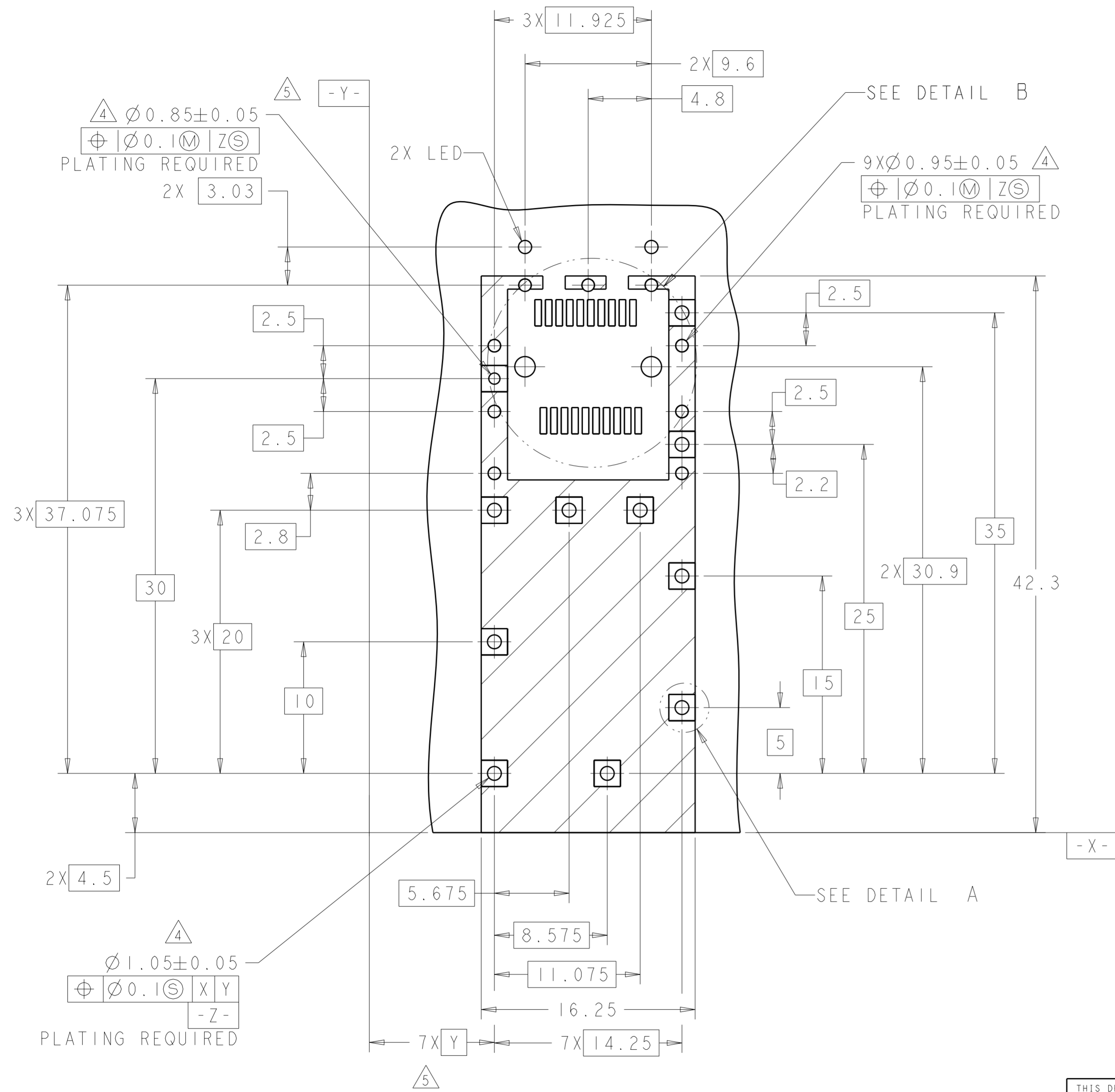


SCALE 4:1  
1367629-2

THIS DRAWING IS A CONTROLLED DOCUMENT.		DWN C. VALENTINE 15 JAN 2007	 TE Connectivity	
DIMENSIONS: mm		CHK E. BRIGHT 15 JAN 2007		
TOLERANCES UNLESS OTHERWISE SPECIFIED:		APVD E. BRIGHT 15 JAN 2007	NAME CAGE ASSEMBLY, 20 PRESS FIT, SFP	
0 PLC ±0.1 1 PLC ±0.1 2 PLC ±0.1 3 PLC ±0.05 4 PLC ±0.05 ANGLES ± FINISH		PRODUCT SPEC 108-1950	RESTRICTED TO	
MATERIAL		APPLICATION SPEC 114-13120	SIZE A200779	CAGE CODE C-1367629
		WEIGHT	DRAWING NO C-1367629	
		Customer Drawing	SCALE 3:1	SHEET 2 OF 4 REV B4

THIS DRAWING IS UNPUBLISHED. RELEASED FOR PUBLICATION 20  
 © COPYRIGHT 20 ALL RIGHTS RESERVED.

LOC	DIST	REVISIONS					
GP	00	P	LTR	DESCRIPTION	DATE	DWN	APVD
		-		SEE SHEET 1			



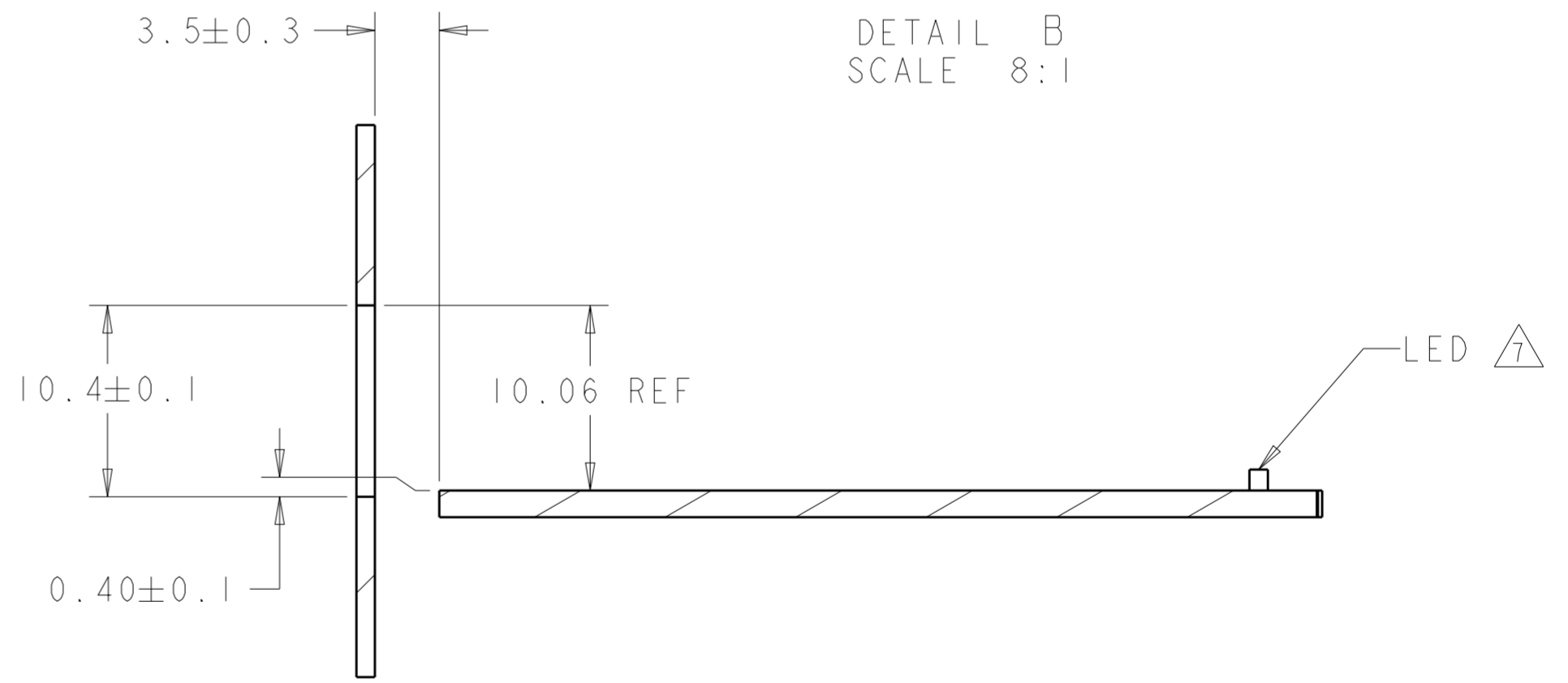
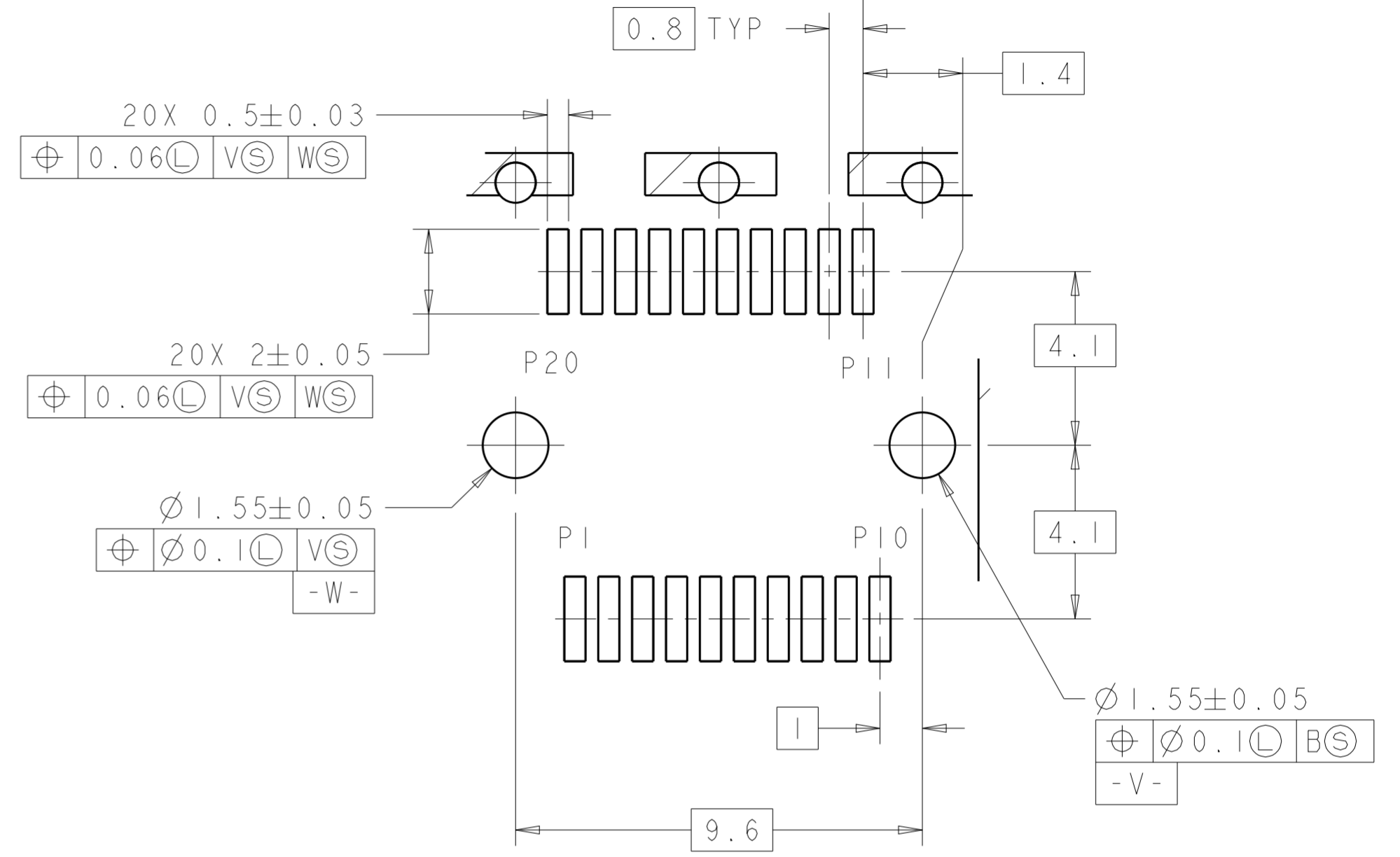
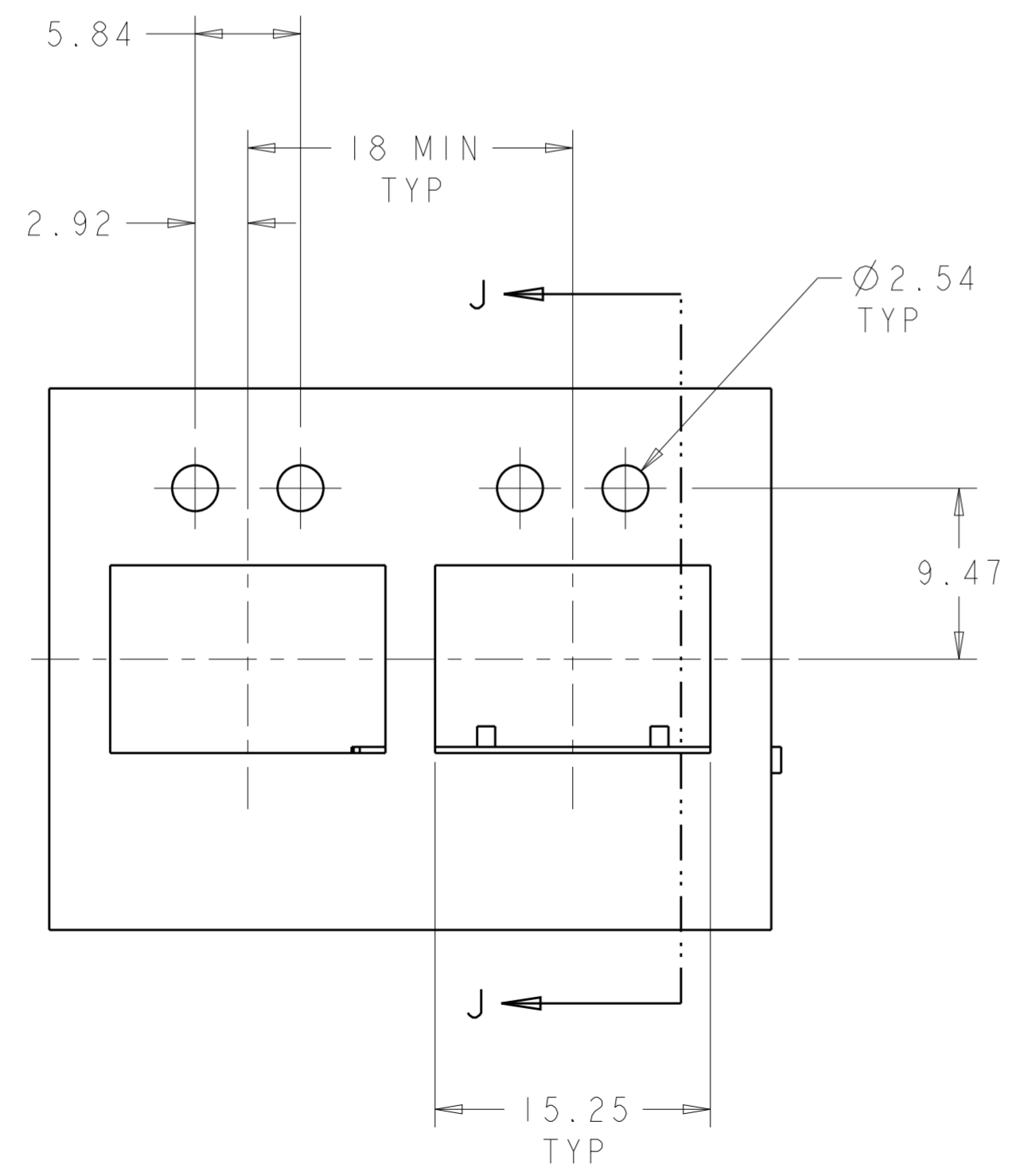
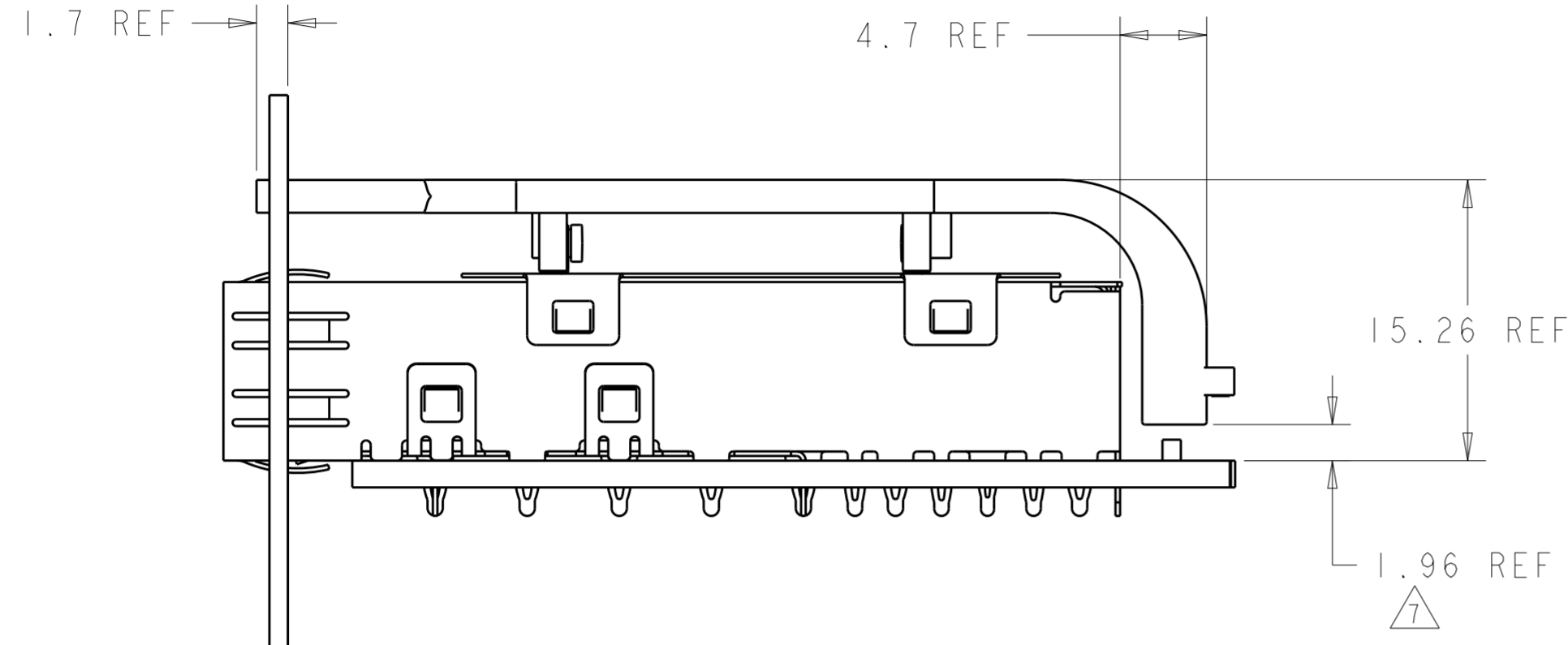
DETAIL A  
SCALE 8:1

RECOMMENDED PC BOARD LAYOUT  
SCALE 4:1

THIS DRAWING IS A CONTROLLED DOCUMENT.		DWN C. VALENTINE 15 JAN 2007	TE Connectivity	
DIMENSIONS: mm		CHK E. BRIGHT 15 JAN 2007		
TOLERANCES UNLESS OTHERWISE SPECIFIED:		APVD E. BRIGHT 15 JAN 2007	NAME CAGE ASSEMBLY, 20 PRESS FIT, SFP	
0 PLC ±0.1 1 PLC ±0.1 2 PLC ±0.1 3 PLC ±0.05 4 PLC ±0.05 ANGLES ± FINISH		PRODUCT SPEC 108-1950	RESTRICTED TO	
MATERIAL		APPLICATION SPEC 114-13120	SIZE A200779	DRAWING NO. C-1367629
		WEIGHT	SCALE 3:1	SHEET 3 OF 4
		Customer Drawing	REV B4	

THIS DRAWING IS UNPUBLISHED. RELEASED FOR PUBLICATION 20  
 © COPYRIGHT 20 ALL RIGHTS RESERVED.

LOC	DIST	REVISIONS			
P	LTR	DESCRIPTION	DATE	DWN	APVD
GP	00	SEE SHEET 1	-	-	-



SECTION J-J

DETAIL B  
SCALE 8:1

THIS DRAWING IS A CONTROLLED DOCUMENT.		DWN C. VALENTINE 15 JAN 2007	TE Connectivity	
DIMENSIONS: mm		CHK E. BRIGHT 15 JAN 2007		
TOLERANCES UNLESS OTHERWISE SPECIFIED:		APVD E. BRIGHT 15 JAN 2007	NAME CAGE ASSEMBLY, 20 PRESS FIT, SFP	
0 PLC ±0.1	1 PLC ±0.1	PRODUCT SPEC 108-1950	SIZE A200779	
2 PLC ±0.1	3 PLC ±0.05	APPLICATION SPEC 114-13120	DRAWING NO C-1367629	
4 PLC ±0.05	ANGLES ±	WEIGHT -	RESTRICTED TO -	
MATERIAL -	FINISH -	Customer Drawing	SCALE 3:1 SHEET 4 OF 4 REV B4	