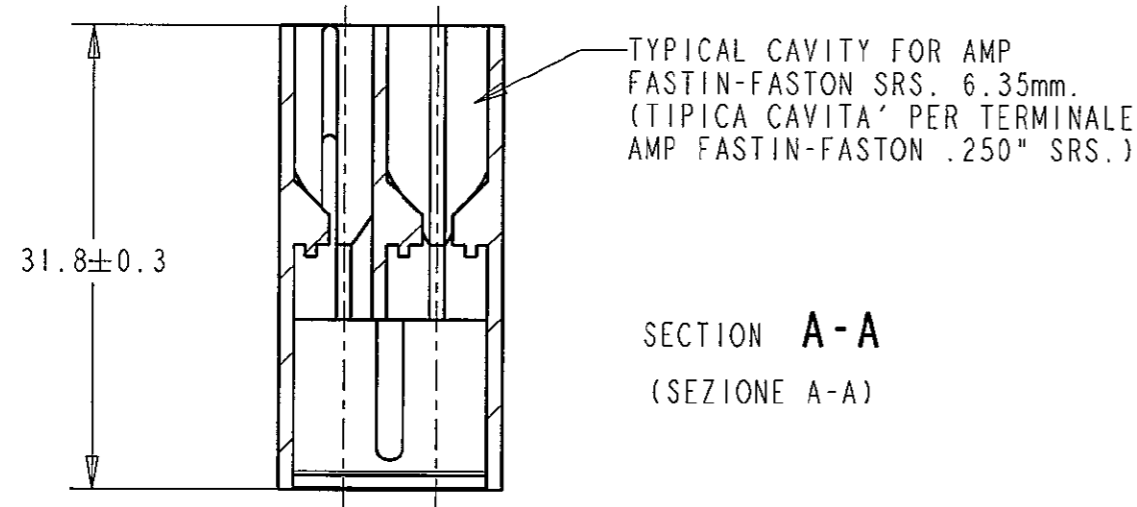
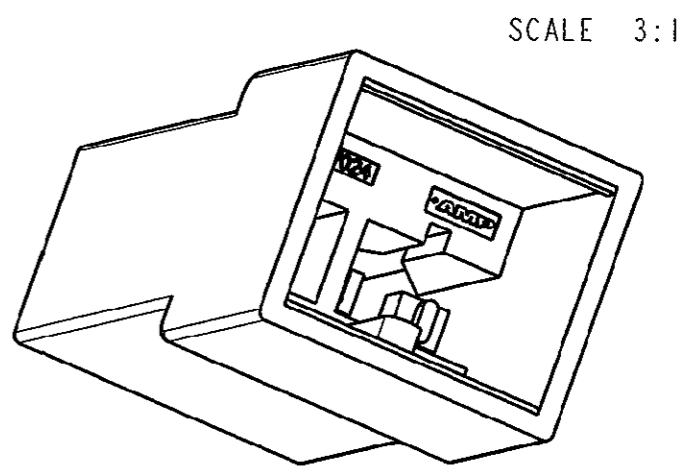
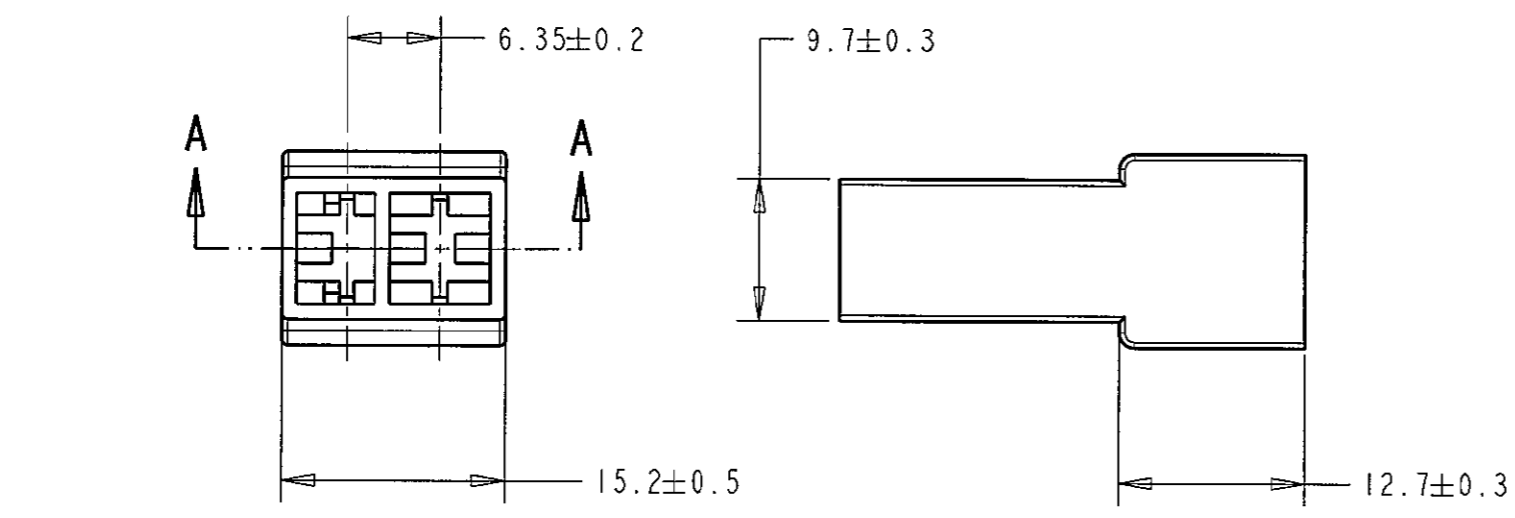
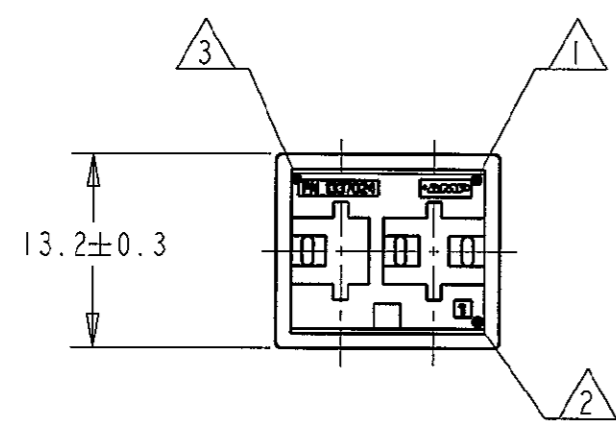


LOC		REVISIONS			
F	LTR	DESCRIPTION	DATE	DWN	APVD
	0	EB00-0097-00	14-02-00	MH	FW-K
	01	REVISED PER ECO-09-026495	28NOV09	KK	AEG



- 1 AMP TRADEMARK (MARCHIO DI FABBRICA AMP).
- 2 MOULD CAVITY NUMBER (NUMERO DI IMPRONTA STAMPO).
- 3 AMP PART NUMBER. (PART NUMBER)
- 4 OBSOLETE PARTS: OBSOLETE CIS STREAMLINING PER D.RENAUD/D.SINISI



COLOUR (COLORE)	MATERIAL (MATERIALE)	SYMMETRIC CAVITIES VERSION (VERSIONE CON CAVITA' SIMMETRICHE)	PART NUMBER
NATURAL (NATURALE)	PA 6.6 ZYTEL 103 HSL	(2-180924-0)	1337024-4
4 OBSOLETE BLACK (NERO)	PA 6.6 (UNFILLED)	(180924-5)	1337024-3
4 OBSOLETE RED (ROSSO)	PA 6.6 (UNFILLED)	(180924-1)	1337024-2
NATURAL (NATURALE)	PA 6.6 (UNFILLED)	(180924-0)	1337024-1

NB: REDRAWN AND CONVERTED FROM IMPERIAL (INCHES) TO METRIC (MM).

THIS DRAWING IS A CONTROLLED DOCUMENT FOR AMP INCORPORATED. IT IS SUBJECT TO CHANGE AND THE CONTROLLING ENGINEERING ORGANIZATION SHOULD BE CONTACTED FOR THE LATEST REVISION.

DWN M. HUGHES 21-Jun-99  
 CHK F. W-KING  
 APVD F. W-KING  
 PRODUCT SPEC 108-20020  
 APPLICATION SPEC -  
 WEIGHT -  
 MATERIAL SEE TABLE  
 FINISH -

**AMP** AMP of Great Britain Ltd, Stanmore, Middlesex, HA7 4RS.

NAME FASTIN/ON CONNECTOR, 6.35 (.250 ") SRS TAB HOUSING, 2 POS. (ASYMETRIC)

SIZE A3 CAGE CODE 00779 DRAWING NO C-1337024

CUSTOMER DRAWING SCALE 3:1 SHEET 1 OF 1 REV 01