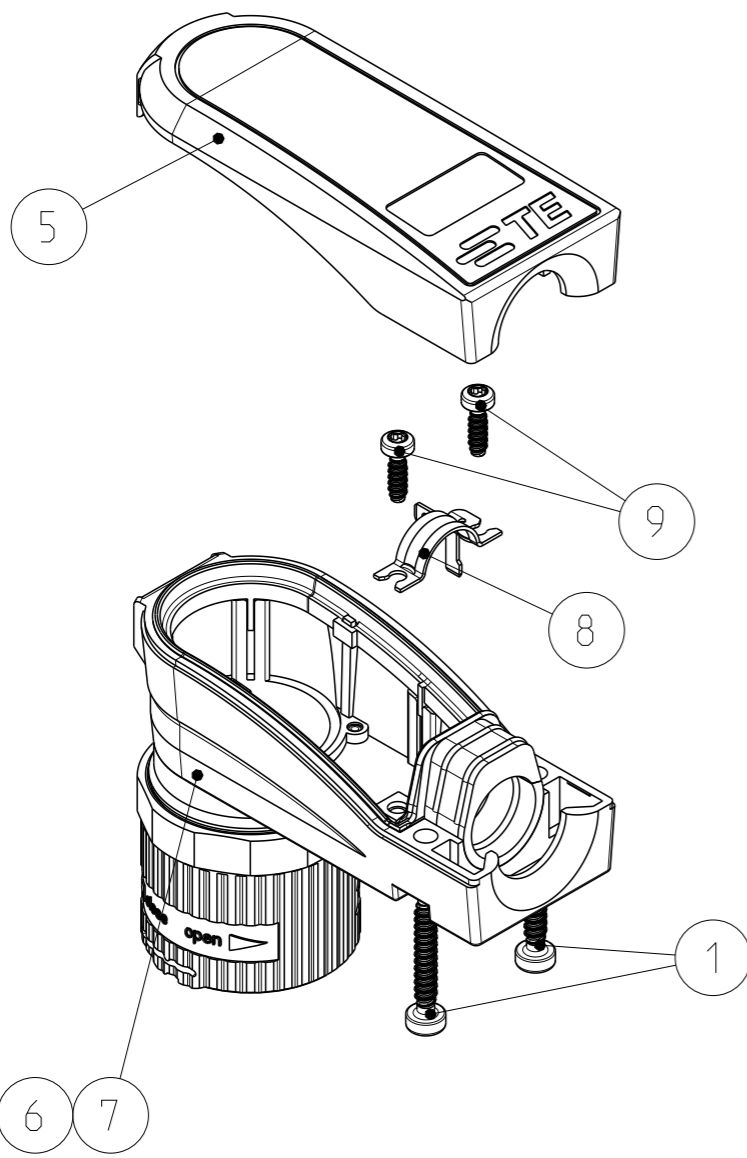
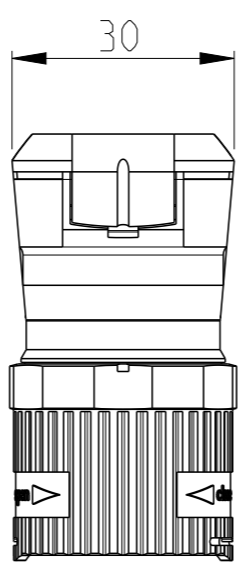
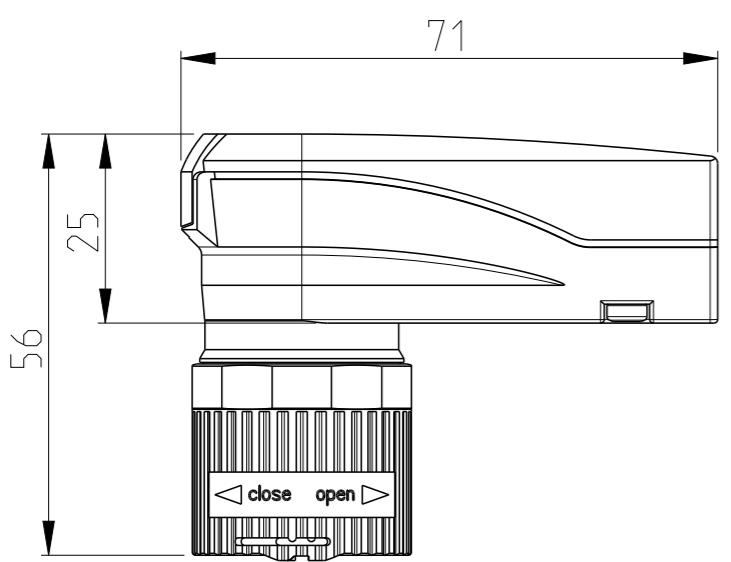


THIS DRAWING IS UNPUBLISHED
 VERTRAULICHE UNVEROFFENTLICHTE ZEICHNUNG
 © COPYRIGHT 2007 Tyco Electronics AMP GmbH
 ALL RIGHTS RESERVED.
 ALLE RECHTE VORBEHALTEN.

LOC	DIST	REVISIONS ÄNDERUNGEN					
AI	-	P	LTR	DESCRIPTION BESCHREIBUNG	DATE	DWN	APVD
PROJEKT NR.:		E4		TITLE BLOCK: NAME CHANGED	09OCT2015	ER	DO
		E5		NOTE 9 REVISED PER PCN E-15-016089	03NOV2015	ER	DO
		E6		PN 0-2: ITEM 3 ADDED PER PCN E-16-015832	09NOV2016	ER	DO
		E7		PN 0-5 ADDED PER PCN E-17-004754	03APR2017	ER	DO



PN 0-1 AS SHOWN

Notes

- SUITABLE HOUSINGS: SERIES HC26
CUSTOMER DRAWING: 1103433, 1103470
- SUITABLE INSERTS: SERIES HC26
CUSTOMER DRAWING: 1103428, 1103429, 1103431, 1103432
- STANDARDS:
DIN EN 61984, DIN EN 60664-1
- PACKAGING PN 0-1:
40 SETS IN A CARTON
- PACKAGING PN 0-2:
500 PIECES IN A CARTON
- PACKAGING PN 0-3:
500 PIECES IN A CARTON
- PACKAGING PN 0-4:
1000 PIECES IN A CARTON
- SUITABLE: ACCESSORY KIT:
CUSTOMER DRAWING 1103519
- SEAL GLUED AROUND INTO ANGLED
CONNECTOR HOUSING WITH LOCTITE 406,
ACC. TO INSTRUCTION SHEET 408-18000
- PACKAGING PN 0-5:
500 PIECES IN A CARTON

-	-	-	-	2	SCREW FOR PLASTICS	STEEL	ZINC PLATED	WN5452, 8IP-2.5x8.0	9
1	-	-	-	1	SCREEN TERMINATION	COPPER ALLOY	TIN PLATED	SERIES HC26, CONN.HSG	8
-	-	-	1	1	RETAINING RING	BRASS	NICKEL PLATED	SERIES HC26, CONN./ COUPL. HSG.	7
-	-	-	1	1	COUPLING NUT	PA66-GF25	GREY	SERIES HC26, CONN. HSG., DESIGN PLASTIC	6
-	-	1	-	1	COVER	PA66-GF25	GREY	SERIES HC26, CONN. HSG., DESIGN PLASTIC	5
-	-	-	1	1	ANGLED CONNECTOR HOUSING	PA66-GF25	GREY	SERIES HC26, DESIGN PLASTIC	4
-	-	-	1	1	SEALING	FKM	GREY	SERIES HC26, WIRE SIZE 11.5-12.0	3
-	-	-	1	1	SEALING	FKM	GREY	SERIES HC26, INTERMATE	2
-	1	-	-	2	SCREW FOR PLASTICS	STEEL	ZINC PLATED	WN5452, 10IP-3.0x18.0	1
0-5	0-4	0-3	0-2	0-1	DESCRIPTION	MATERIAL	SURFACE/COLOR	NOTE	ITEM

QTY/PN PARTS LIST (PER UNIT)

DIESE ZEICHNUNG IST EIN KONTROLLIERTES DOKUMENT.
 BEMASSUNGEN UND TOLERANZEN GEMAESS GPS (ISO STANDARDS).

THIS DRAWING IS A CONTROLLED DOCUMENT.
 DIMENSIONING AND TOLERANCING PER GPS (ISO STANDARDS).

DIMENSIONS: MASSEINHEITEN: (MM)

TOLERANCES UNLESS OTHERWISE SPECIFIED: ALLGEMEINTOLERANZEN

0 PLC	±
1 PLC	±
2 PLC	±
3 PLC	±
4 PLC	±
ANGLES/WINKEL	±

MATERIAL - FINISH/OBERFLAECHE/FARBE -

DWN H.BRAUN 25SEP2007
 CHK T.VETTER 27OCT2008
 APVD T.SCHNURPFEL 27OCT2008

PRODUCT SPEC PRODUKTSPEZ. 108-74097
 APPLICATION SPEC VERARBEITUNGSSPEZ. 114-74103

WEIGHT GEWICHT -

Customer Drawing /KUNDENZEICHNUNG

TOLERANCING ISO 8015
 TOLERIERUNG ISO 8015

TE TE Connectivity

NAME ANGLED CONNECTOR HOUSING ASS'Y
 SERIES HC26, DESIGN PLASTIC
 CIRCULAR HYBRID CONNECTOR

SIZE A3 CAGE CODE 00779 DRAWING NO. ZEICHNUNGS-NR. C=1103434 RESTRICTED TO NUR FUER -

SCALE MASSSTAB 1:1 SHEET BLATT 1 OF VON 1 REV E7