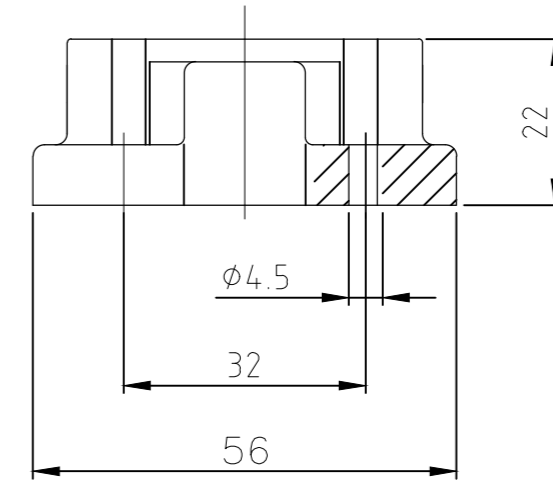
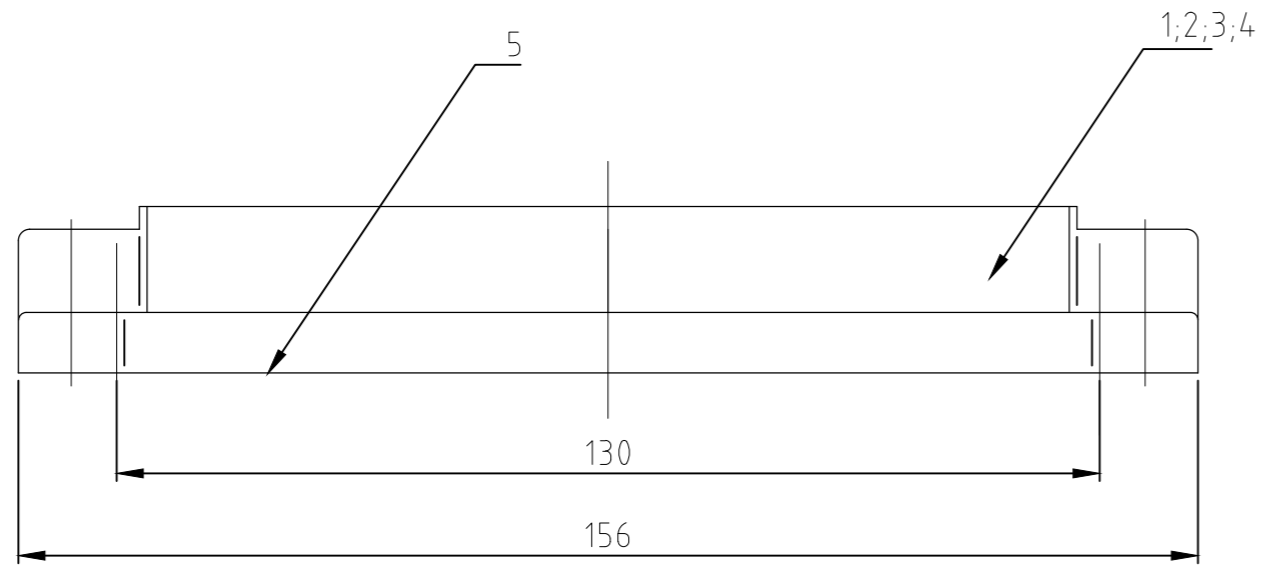
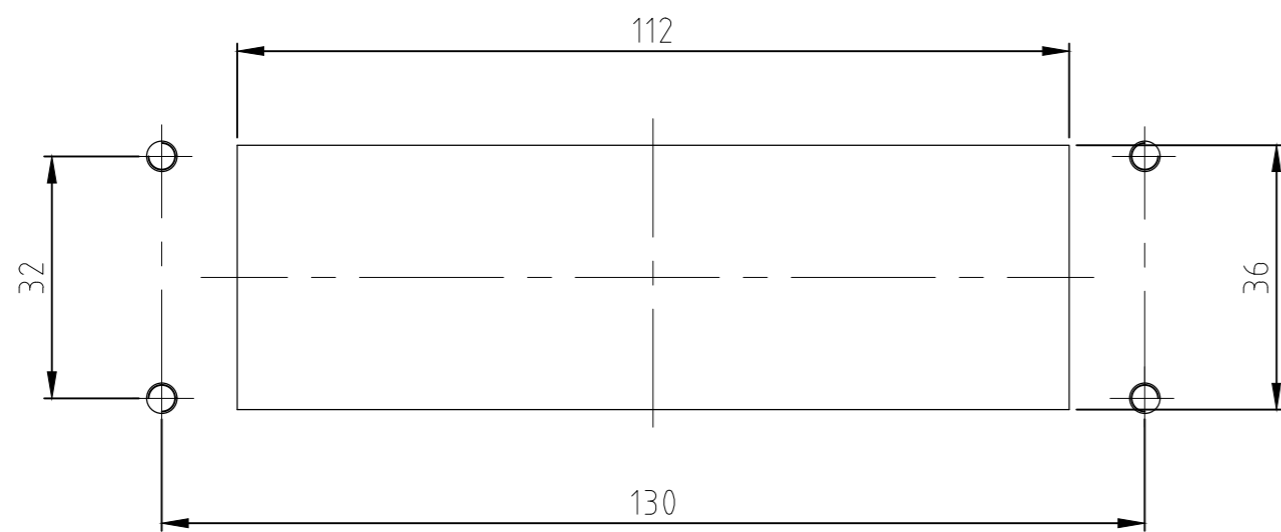


THIS DRAWING IS UNPUBLISHED. RELEASED FOR PUBLICATION
 © COPYRIGHT - TE Connectivity ALL RIGHTS RESERVED.

REVISIONS					
P	LTR	DESCRIPTION	DATE	DWN	APVD
	A6	REVISED PER ECR-17-014011	24JAN2018	NG	MKO



Panel Cut Out



Notes:

- ① Material: Housing: aluminium diecasting alloy
Seals: Neoprene conductive
- ② Surface: Varnish- grey
yellow chromium plated +
Varnish black
- ③ Varnish on the inside not necessarily

Bemerkungen:

- ① Material: Gehäuse: Alu-Druckguß-Legierung
Dichtungen: Neoprene leitfähig
- ② Oberfläche: Lackierung - grau
gelb chromatiert +
Lackierung schwarz
- ③ Lackierung im Gehäuseinnere ist nicht notwendig

QTY	DESCRIPTION / BENENNUNG	MATERIAL	SURFACE/OBERFLÄCHE	COLOR/FARBE	ITEM NO.	REMARKS / BEMERKUNGEN
1	0-Ring Bg8	Neoprene	-	black/schwarz	5	Conductive
1	Bulkhead housing EMV-K Bg8	Aluminium/Alu	yellow chromated	black/schwarz	4	
1	Bulkhead housing EMV Bg8	Aluminium/Alu	-	grey/grau	3	
1	Bulkhead housing EMV Bg8	Aluminium/Alu	-	unvarnished	2	
1	Bulkhead housing EMV Bg8	Aluminium/Alu	-	white aluminum	1	

EMV.24/64.AG	EMV-K.24/64.AG	EMV.24/64.AG	EMV.24/64.AG	EMV.24/64.AG	EMV.24/64.AG	EMV.24/64.AG
0-3	4-5	3-5	0-2	0-1		

THIS DRAWING IS A CONTROLLED DOCUMENT.		DWN	01.08.2000		TE Connectivity
DIMENSIONS: mm		CHK	01.08.2000		
TOLERANCES UNLESS OTHERWISE SPECIFIED:		APVD	-	NAME	
0 PLC ± -		PRODUCT SPEC	-	Surface mounted housing bottom entry EMV	
1 PLC ± -		APPLICATION SPEC	-	Anbaugehäuse EMV.24/64.AG	
2 PLC ± -		WEIGHT	-	SIZE	CAGE CODE
3 PLC ± -		CUSTOMER DRAWING	-	A2	00779
4 PLC ± -		SCALE	1:1	DRAWING NO	C=1102760
ANGLES ± -		SHEET	1 of 1	RESTRICTED TO	-
FINISH		REV	A6		