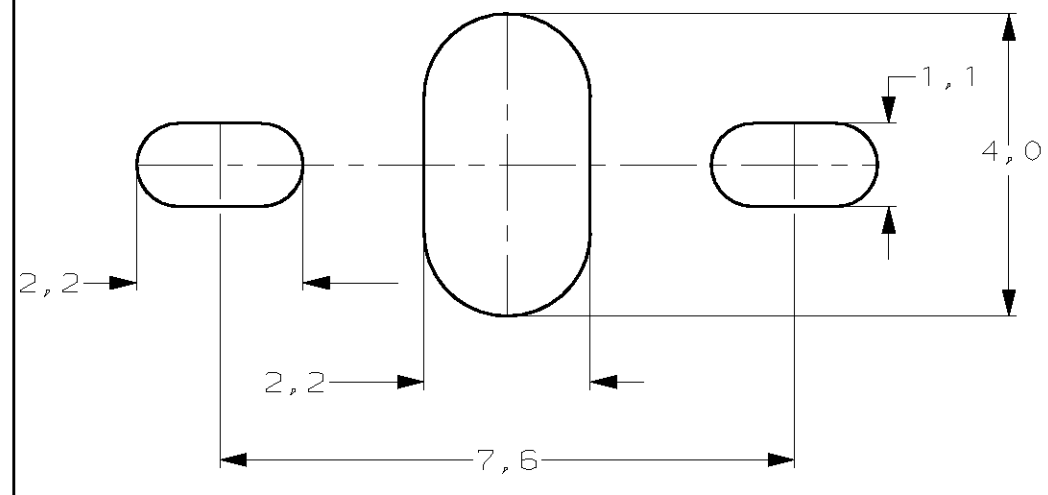
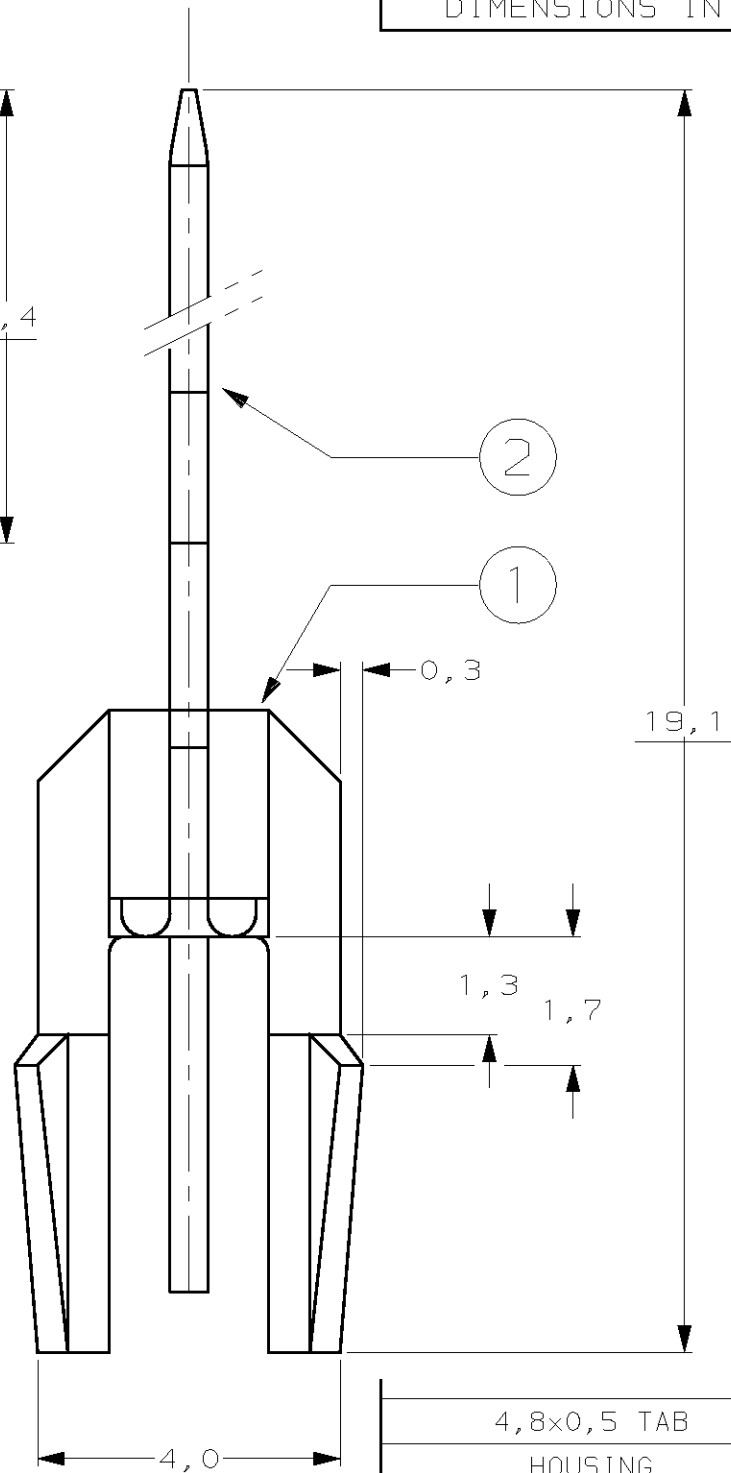
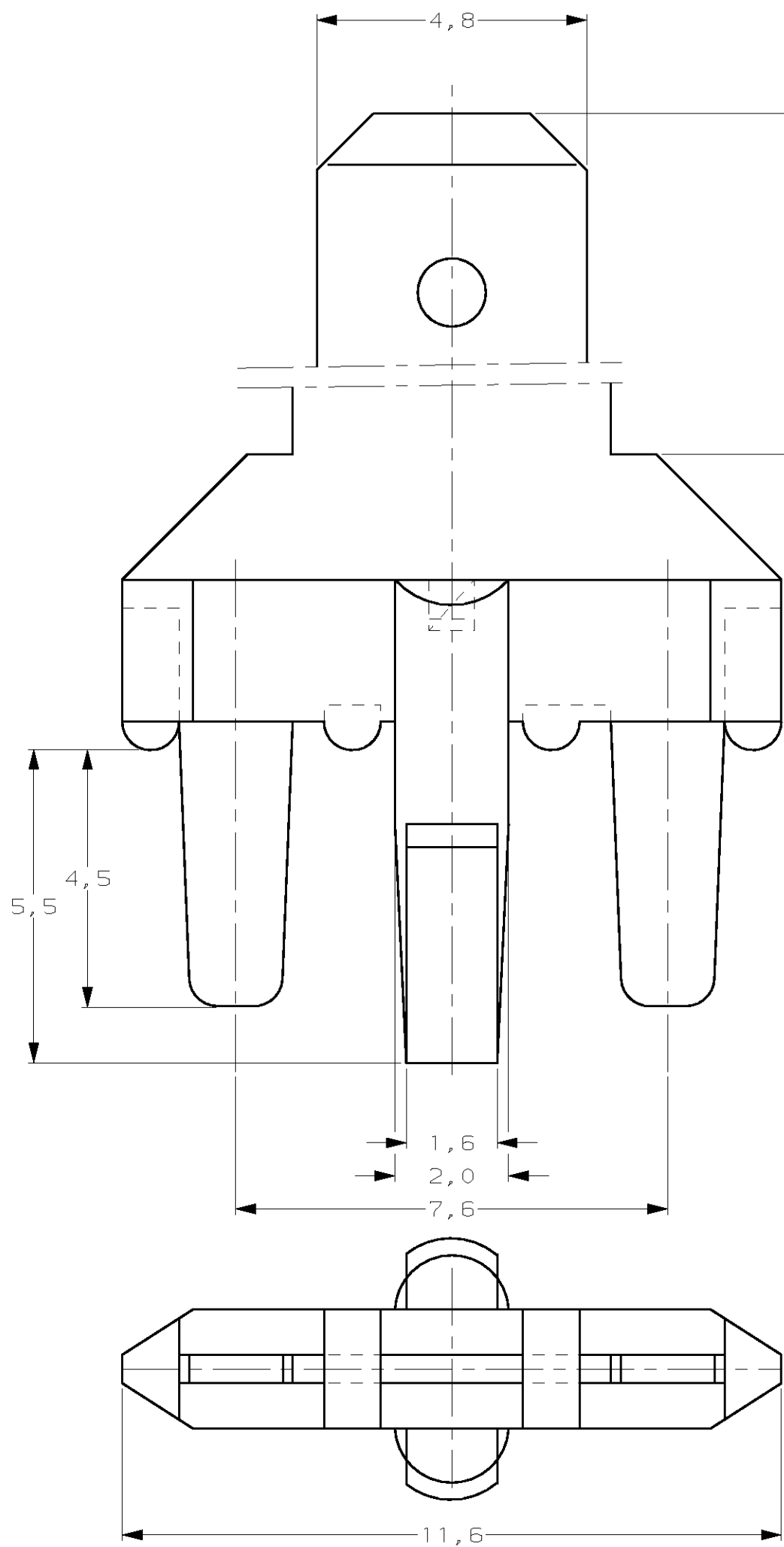


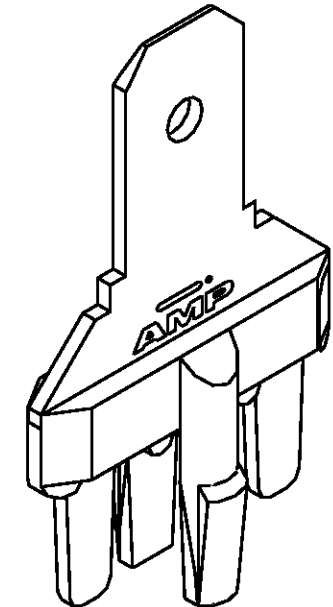
DO NOT SCALE  
DIMENSIONS IN mm

METRIC


THIRD ANGLE  
PROJECTION



PCB LAYOUT DIMENSIONS



-1 AS SHOWN

	4,8x0,5 TAB	Sn OVER Ni	BRASS	2	
	HOUSING	BLACK	PA 4.6	1	
	DESCRIPTION	FINISH	MATERIAL	ITEM	
F	EH01-1378-03	JvdH RL 17 NOV 03	<b>CUSTOMER DRAWING</b> FOR REFERENCE ONLY WILL NOT BE UPDATED		
E	EH-1390-95	JvL RotB 15-11-95	© COPYRIGHT 19- BY AMP HOLLAND B.V. ALL INTERNATIONAL RIGHTS RESERVED. AMP PRODUCTS MAY BE COVERED BY U.S. AND FOREIGN AND/OR PATENTS PENDING.		
D	EH-0103-95	JvL RotB 24-01-95	THIS DRAWING IS UNPUBLISHED RELEASED FOR PUBLICATION , 19		
C	EH-0911-93	DK RotB 23-11-93	 AMP HOLLAND B.V. 's-Hertogenbosch, The Netherlands.		
B	EH-0732-93	DK RotB 06-10-93			
A	EH-0497-93	JvL RotB 21-07-93	NAME		
O	EH-0464-93	DK RotB 08-07-93	ASS'Y TAB 4,8x0,5 FOR PCB APPLICATION		
LTR.	REVISION RECORD	DR.	CHK.	DATE	
DR.:	D.KESSLER	CHK.:	R.o.t.BERG	APP.:	-
DATE:	08-07-93	DATE:	-	DATE:	-
DWG.No.	106451	REV.LTR.	F	SHEET	1 OF 1
					<b>A3</b>